

ZT15

Pressure Transmitters

for Semiconductor Industry

Outline

These are pressure transmitters designed for semiconductor industry, in which pressures are converted into electric signals and transmitted by the sensing element equipped with evaporation coating type semiconductor strain gauge and a built-in electronic circuit. We provide two types of pressure transducers with UC / EP Grade for high-purity gas and BA / GP Grade achieved the cost down of gas piping without impairing the airtightness.

Features

- Highly corrosion-resistant pressure sensors made of Co-Ni alloy or SUS316L are welded directly to the fitting, giving them excellent corrosion resistance, air-tightness, long-term stability and reliability.
 - *Please confirm that material in contact with gas is suitable for it.
- Few dead spaces exist that may cause gas contamination.
- Available in gauge, compound and absolute pressures.
 - (For the absolute pressure range, please refer to separate catalogs.)



RoHS

CE *1

*1 ZT15-1□□, ZT15-2□□, ZT15-A□□, and ZT15-B□□ are non-CE compliant.

List of grade

Cleanliness These pressure transmitters have been assembled, adjusted, inspected and packaged in a clean room, paying special attention for maintaining cleanliness.

Grade		UC (Ultra Clean)	BA (Bright Annealing)	EP (Electro Polishing)	GP (General Purpose)
Surface roughness of gas contact		0.18μm Ra Avg. 0.7μm Rz Max.	Approx. Rz 2.5μm	0.18μm Ra Avg.	0.5μm Ra Avg.
Wetted parts	Pressure sensor	Co-Ni alloy		SUS316L	
	Fitting *2	SUS316L		SUS316L	
Maximum allowable pressure *3		200% of rated pressure		150% of rated pressure	
Leakage (Helium leak rate)		5 x 10 ⁻¹² Pa·m ³ /s and under		5 x 10 ⁻¹² Pa·m ³ /s and under	
Particle		Zero count for size 0.1μm or greater (In our inspection standard)	—————	Zero count for size 0.1μm or greater (In our inspection standard)	—————
Cleaning		Ultra clearance (Cleaning)	Degreasing	Ultra clearance (Cleaning)	Degreasing
Operating media *4 (Recommended)		High-purity gas, semiconductor material gas, etc.	Purge gas, exhaust gas, etc.	High-purity gas, semiconductor material gas, etc.	Purge gas, exhaust gas, etc.

*2 For UC Grade, the pressure transmitter can be manufactured in DOUBLE MELT material by request. Please contact us.

*3 Allowable maximum pressure is the upper limit of pressure value which may safely be applied to the product and remain in specification once pressure is returned to the rated pressure range with a couple of times overpressurization for about 10 minutes. Effects of continuous overpressure are not guaranteed.



*4 Ensure that pressure media is compatible with wetted parts.

*UC / EP Grade rises with double packing (Filled with N₂).

ZT15

Pressure Transmitter

Specification

Item	Description												
Fluid	Process gases for semiconductor industry												
Pressure range	0 to 0.3, 0.5, 1, 2, 3.5, 5, 10, 20MPa -0.1 to 0.3, 0.5, 1, 2MPa												
Fitting shape	Type T  Type S 												
Connection	1/4, 3/8 UJR, VCR, CVC, etc.												
Pressure sensor seal method	Welding type												
Operating temperature	-20 to 70°C (No freezing or condensation)												
Storage temperature	-30 to 80°C (No freezing or condensation)												
Accuracy *1	±1.0%F.S. at 23°C (Standard) or ±0.5%F.S. at 23°C (Option) However, 0.5MPa range or greater can be specified												
Temperature coefficient	± 0.1%F.S./°C [Accuracy±1.0%F.S.] (Zero, Span) or ±0.05%F.S./°C [Accuracy±0.5%F.S.] (Zero, Span)												
Electrical characteristics	<table border="1"> <thead> <tr> <th>Transmission method</th> <th>2-wire system</th> <th>3-wire system</th> </tr> </thead> <tbody> <tr> <td>Power source</td> <td>24V DC±10%</td> <td>24V DC±10% or 12V DC±10%</td> </tr> <tr> <td>Output</td> <td>4 to 20mA DC</td> <td>1 to 5V DC</td> </tr> <tr> <td>Load resistance</td> <td>500Ω maximum</td> <td>10kΩ minimum</td> </tr> </tbody> </table>	Transmission method	2-wire system	3-wire system	Power source	24V DC±10%	24V DC±10% or 12V DC±10%	Output	4 to 20mA DC	1 to 5V DC	Load resistance	500Ω maximum	10kΩ minimum
Transmission method	2-wire system	3-wire system											
Power source	24V DC±10%	24V DC±10% or 12V DC±10%											
Output	4 to 20mA DC	1 to 5V DC											
Load resistance	500Ω maximum	10kΩ minimum											
CE compliance *2	Applicable Standards: EN61326-1: 2013; EN61326-2-3: 2013 *Please use it to connect to the indoor power distribution network which is not affected by the lightning surge voltage and power supply system switching transients.												
Enclosure	Indoor use												
Weight	Approx. 180 g (Excluding cable, varies depending on the fitting shape)												

*1 Accuracy includes the effects of Linearity, Hysteresis and Repeatability.

*2 ZT15-1□□, ZT15-2□□, ZT15-A□□, and ZT15-B□□ are non-CE compliant.

Connector and cable

Connector (Plug):

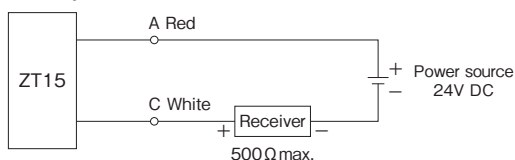
R03-P6M (Manufactured by Tajimi Electronics Co., Ltd.)

Cable:

	Environmental temperature	Conductor		Cable outer diameter (mm)	Minimum bending radius (mm)
		Cross-section area (mm ²)	Twisted conductors (pcs./mm)		
Heat resistant cable	-20 to 105°C	0.3	12/0.18	φ 6.0	25

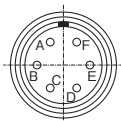
Wiring

2-wire system

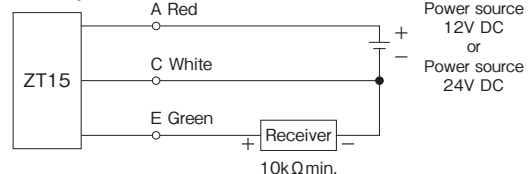


2-wire system Terminal distribution

A-Red: Power source (+)
C-White: Power source (-)



3-wire system



3-wire system Terminal distribution

A-Red: Power source (+)
C-White: Common
E-Green: Output (+)

Caution

Avoid installing in location where apparatus or atmosphere (excluding process media) could be cause of initiation of ignition or explosion under normal operating condition.

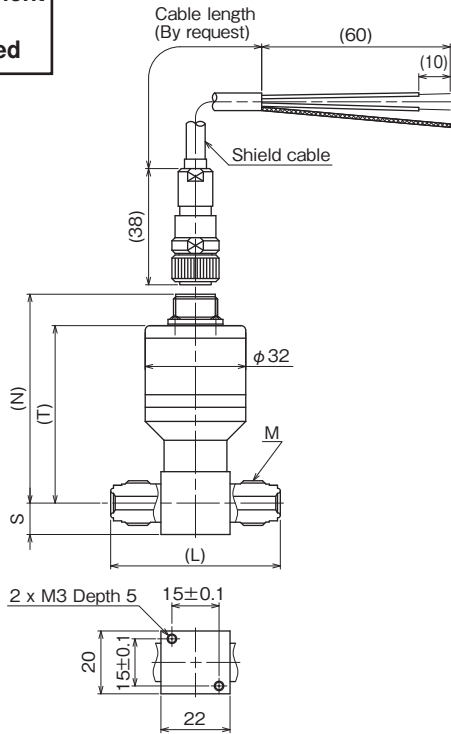
ZT15

Pressure Transmitter

Dimensions 1

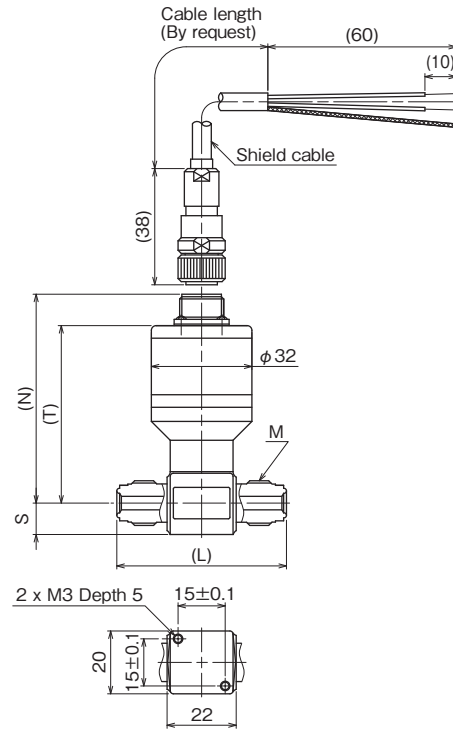
Internal Adjustment
Type T
Male Integrated

UC/BA Grade

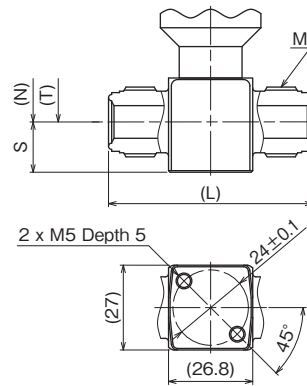


Compatible with 1/4 VCR

EP/GP Grade



Compatible with 1/4 VCR



Compatible with 1/2 (3/8) VCR

Grade	Connection	Piping DIA.	Screw size M	Dimensions				Model number
				N	T	S	L	
UC	Compatible with VCR Male integrated	1/4	9/16-18UNF	66.5	56.5	10	54	ZT15-136, ZT15-M36

Grade	Connection	Piping DIA.	Screw size M	Dimensions				Model number
				N	T	S	L	
BA	Compatible with VCR Male integrated	1/4	9/16-18UNF	66.5	56.5	10	54	ZT15-13N, ZT15-M3N

Grade	Connection	Piping DIA.	Screw size M	Dimensions				Model number
				N	T	S	L	
EP	Compatible with VCR Male integrated	1/4	9/16-18UNF	66.5	56.5	10	54	ZT15-M3E
		1/2 (3/8)	7/8-14UNF	70.5	60.5	16	65	ZT15-M4E

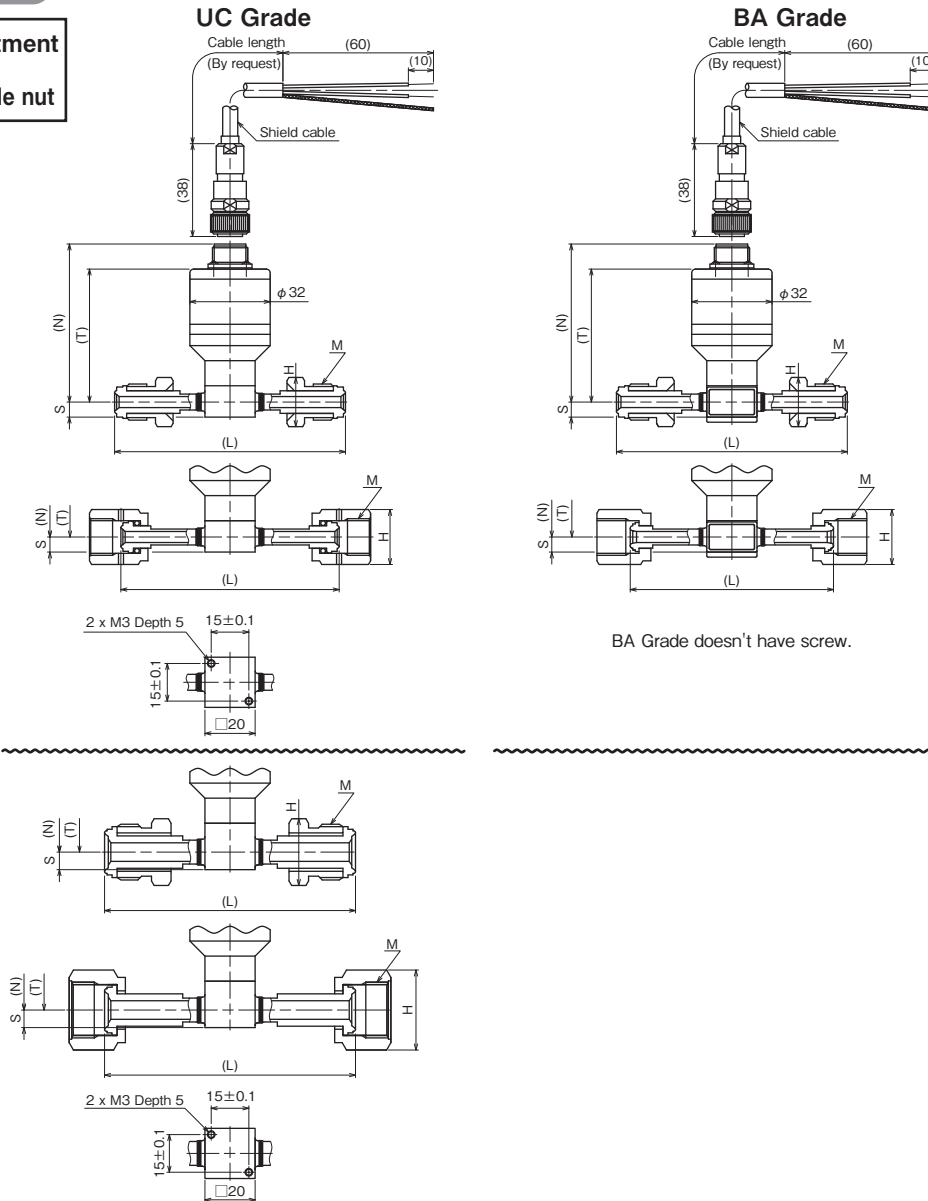
Grade	Connection	Piping DIA.	Screw size M	Dimensions				Model number
				N	T	S	L	
GP	Compatible with VCR Male integrated	1/4	9/16-18UNF	66.5	56.5	10	54	ZT15-M3G

Unit: mm

Dimensions 2

Internal Adjustment
Type T
Male nut/Female nut

Unit: mm



Grade	Connection	Piping DIA.	Screw size M	Dimensions					Model number
				N	T	S	H	L	
UC	VCR Male nut	1/4	9/16-18UNF	62.5	52.5	6	16 x 18.5 Hex.	86	ZT15-1J6, ZT15-MJ6
		3/8	7/8-14UNF	68	58	7	24 x 27.7 Hex.	90.5	ZT15-1K6, ZT15-MK6
	VCR Female nut (Bearings are not included)	1/4	9/16-18UNF	62.5	52.5	6	19 x 21.9 Hex.	80.8	ZT15-1L6, ZT15-ML6
		3/8	7/8-14UNF	68	58	7	27 x 31.2 Hex.	81.8	ZT15-1M6, ZT15-MM6
	UJR Male nut	1/4	9/16-18UNF	62.5	52.5	6	17 x 19.6 Hex.	87	ZT15-1N6, ZT15-MN6
		3/8	7/8-14UNF	68	58	7	23 x 26.6 Hex.	100	ZT15-1P6, ZT15-MP6
	UJR Female nut (With pure ring)	1/4	9/16-18UNF	62.5	52.5	6	19 x 21.9 Hex.	87	ZT15-1Q6, ZT15-MQ6
		3/8	7/8-14UNF	68	58	7	26 x 30 Hex.	100	ZT15-1R6, ZT15-MR6
	CVC Male nut	1/4	9/16-18UNF	62.5	52.5	6	15.8 x 18.2 Hex.	86	ZT15-1W6, ZT15-MW6
		3/8	7/8-14UNF	68	58	7	23.8 x 27.5 Hex.	90.6	ZT15-1X6, ZT15-MX6
	CVC Female nut (Bearings are not included)	1/4	9/16-18UNF	62.5	52.5	6	19 x 21.9 Hex.	80.8	ZT15-1Y6, ZT15-MY6
		3/8	7/8-14UNF	68	58	7	27 x 31.2 Hex.	82	ZT15-1Z6, ZT15-MZ6

Grade	Connection	Piping DIA.	Screw size M	Dimensions					Model number
				N	T	S	H	L	
BA	VCR Male nut	1/4	9/16-18UNF	63	53	6	16 x 18.5 Hex.	86	ZT15-1JN, ZT15-MJN
	VCR Female nut (Bearings are not included)						19 x 21.9 Hex.	80.8	ZT15-1LN, ZT15-MLN
	UJR Male nut						17 x 19.6 Hex.	92	ZT15-1NN, ZT15-MNN
	UJR Female nut (Without pure ring)						19 x 21.9 Hex.	81	ZT15-1QN, ZT15-MQN
	CVC Male nut						15.8 x 18.2 Hex.	86	ZT15-1WN, ZT15-MWN
	CVC Female nut (Bearings are not included)						19 x 21.9 Hex.	80.8	ZT15-1YN, ZT15-MYN

ZT15

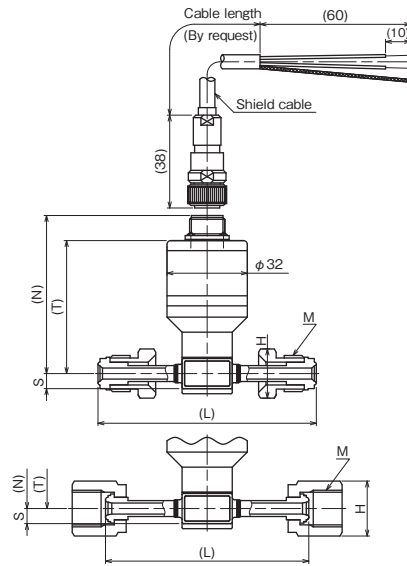
Pressure Transmitter

Dimensions 3

Internal Adjustment
Type T
Male nut/Female nut

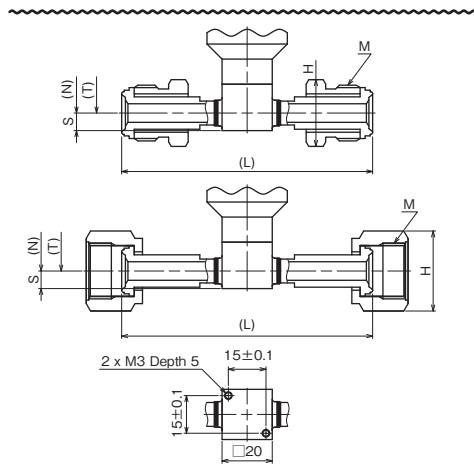
Unit: mm

EP/GP Grade



1/4UJR

* There is no M3 screw on the piping diameter 1/4.



3/8UJR

Grade	Connection	Piping DIA.	Screw size M	Dimensions					Model number
				N	T	S	H	L	
EP	UJR Male nut	1/4	9/16-18UNF	63	53	6	17 x 19.6 Hex.	87	ZT15-MNE
		3/8	7/8-14UNF	68	58	7	23 x 26.6 Hex.	100	ZT15-MPE
	UJR Female nut (Without pure ring)	1/4	9/16-18UNF	63	53	6	19 x 21.9 Hex.	81	ZT15-MQE
		3/8	7/8-14UNF	68	58	7	26 x 30 Hex.	100	ZT15-MRE

Grade	Connection	Piping DIA.	Screw size M	Dimensions					Model number
				N	T	S	H	L	
GP	UJR Male nut	1/4	9/16-18UNF	63	53	6	17 x 19.6 Hex.	87	ZT15-MNG
	UJR Female nut (Without pure ring)						19 x 21.9 Hex.		

ZT15

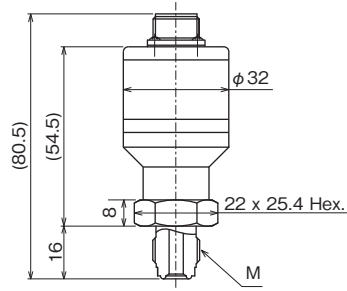
Pressure Transmitter

Dimensions 4

Internal Adjustment
Type S
Male Integrated

UC/BA/EP/GP Grade

Unit: mm



Compatible with 1/4 VCR

Grade	Connection	Piping DIA.	Screw size M	Model number
UC	Compatible with VCR Male integrated	1/4	9/16-18UNF	ZT15-236, ZT15-N36

Grade	Connection	Piping DIA.	Screw size M	Model number
BA	Compatible with VCR Male integrated	1/4	9/16-18UNF	ZT15-23N, ZT15-N3N

Grade	Connection	Piping DIA.	Screw size M	Model number
EP	Compatible with VCR Male integrated	1/4	9/16-18UNF	ZT15-N3E

Grade	Connection	Piping DIA.	Screw size M	Model number
GP	Compatible with VCR Male integrated	1/4	9/16-18UNF	ZT15-N3G

ZT15

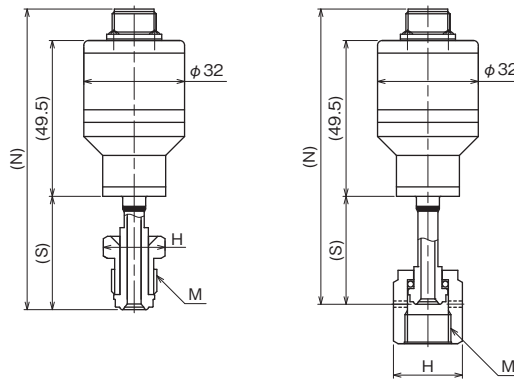
Pressure Transmitter

Dimensions 5

Internal Adjustment
Type S
Male nut/Female nut

UC/BA/EP/GP Grade

Unit: mm



Grade	Connection	Piping DIA.	Screw size M	Dimensions			Model number
				N	S	H	
UC	VCR Male nut	1/4	9/16-18UNF	93.5	34	16 x 18.5 Hex.	ZT15-2J6, ZT15-NJ6
	VCR Female nut (Bearings are not included)			90.9	31.4	19 x 21.9 Hex.	ZT15-2L6, ZT15-NL6
	UJR Male nut			96.5	37	17 x 19.6 Hex.	ZT15-2N6, ZT15-NN6
	UJR Female nut (With pure ring)			94	34.5	19 x 21.9 Hex.	ZT15-2Q6, ZT15-NQ6
	CVC Male nut			95.5	36	15.8 x 18.2 Hex.	ZT15-2W6, ZT15-NW6
	CVC Female nut (Bearings are not included)			90.9	31.4	19 x 21.9 Hex.	ZT15-2Y6, ZT15-NY6

Grade	Connection	Piping DIA.	Screw size M	Dimensions			Model number
				N	S	H	
BA	VCR Male nut	1/4	9/16-18UNF	93.5	34	16 x 18.5 Hex.	ZT15-2JN, ZT15-NJN
	VCR Female nut (Bearings are not included)			81.3	21.8	19 x 21.9 Hex.	ZT15-2LN, ZT15-NLN
	UJR Male nut			96.5	37	17 x 19.6 Hex.	ZT15-2NN, ZT15-NNN
	UJR Female nut (Without pure ring)			81.2	21.7	19 x 21.9 Hex.	ZT15-2QN, ZT15-NQN
	CVC Male nut			95.5	36	15.8 x 18.2 Hex.	ZT15-2WN, ZT15-NWN
	CVC Female nut (Bearings are not included)			90.9	31.4	19 x 21.9 Hex.	ZT15-2YN, ZT15-NYN

Grade	Connection	Piping DIA.	Screw size M	Dimensions			Model number
				N	S	H	
EP	UJR Male nut	1/4	9/16-18UNF	94	34.5	17 x 19.6 Hex.	ZT15-NNE
	UJR Female nut (Without pure ring)			91	31.5	19 x 21.9 Hex.	ZT15-NQE

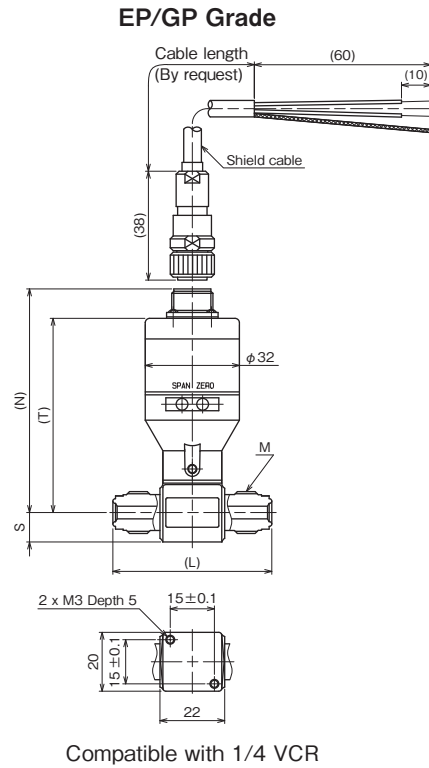
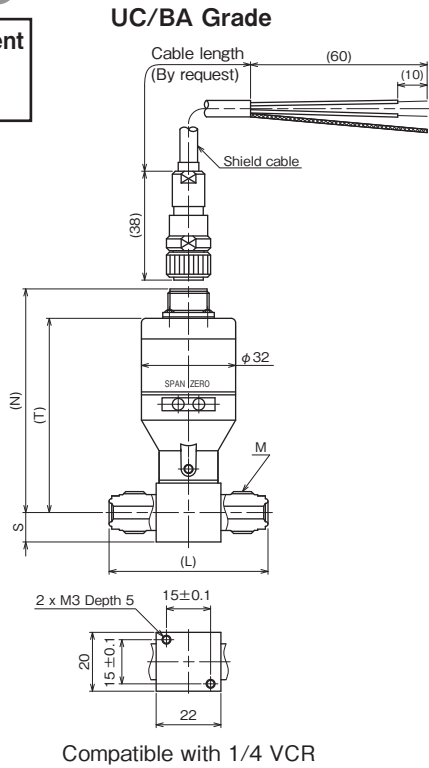
Grade	Connection	Piping DIA.	Screw size M	Dimensions			Model number
				N	S	H	
GP	UJR Male nut	1/4	9/16-18UNF	94	34.5	17 x 19.6 Hex.	ZT15-NNG
	UJR Female nut (Without pure ring)			91	31.5	19 x 21.9 Hex.	ZT15-NQG

ZT15

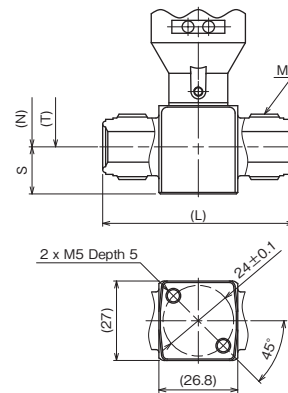
Pressure Transmitter

Dimensions 6

External Adjustment
Type T
Male Integrated



Unit: mm



Compatible with 1/2 (3/8) VCR

Grade	Connection	Piping DIA.	Screw size M	Dimensions				Model number
				N	T	S	L	
UC	Compatible with VCR Male integrated	1/4	9/16-18UNF	76	66	10	54	ZT15-A36, ZT15-C36

Grade	Connection	Piping DIA.	Screw size M	Dimensions				Model number
				N	T	S	L	
BA	Compatible with VCR Male integrated	1/4	9/16-18UNF	76	66	10	54	ZT15-A3N, ZT15-C3N

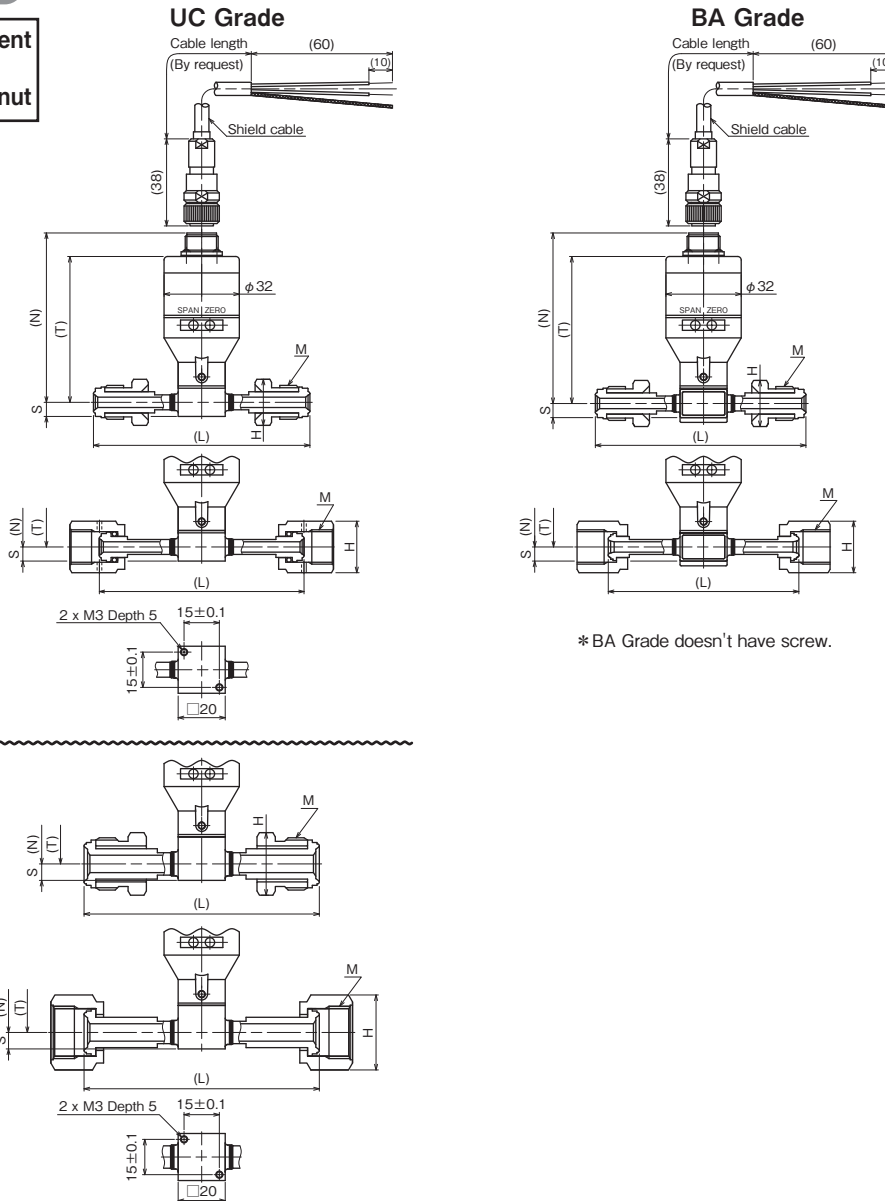
Grade	Connection	Piping DIA.	Screw size M	Dimensions				Model number
				N	T	S	L	
EP	Compatible with VCR Male integrated	1/4	9/16-18UNF	76	66	10	54	ZT15-C3E
		1/2 (3/8)	7/8-14UNF	80	70	16	65	ZT15-C4E

Grade	Connection	Piping DIA.	Screw size M	Dimensions				Model number
				N	T	S	L	
GP	Compatible with VCR Male integrated	1/4	9/16-18UNF	76	66	10	54	ZT15-C3G

Dimensions 7

External Adjustment
Type T
Male nut/Female nut

Unit: mm



Grade	Connection	Piping DIA.	Screw size M	Dimensions					Model number
				N	T	S	H	L	
UC	VCR Male nut	1/4	9/16-18UNF	72	62	6	16 x 18.5 Hex.	86	ZT15-AJ6, ZT15-CJ6
		3/8	7/8-14UNF	77.5	67.5	7	24 x 27.7 Hex.	90.5	ZT15-AK6, ZT15-CK6
	VCR Female nut (Bearings are not included)	1/4	9/16-18UNF	72	62	6	19 x 21.9 Hex.	80.8	ZT15-AL6, ZT15-CL6
		3/8	7/8-14UNF	77.5	67.5	7	27 x 31.2 Hex.	81.8	ZT15-AM6, ZT15-CM6
	UJR Male nut	1/4	9/16-18UNF	72	62	6	17 x 19.6 Hex.	87	ZT15-AN6, ZT15-CN6
		3/8	7/8-14UNF	77.5	67.5	7	23 x 26.6 Hex.	100	ZT15-AP6, ZT15-CP6
	UJR Female nut (With pure ring)	1/4	9/16-18UNF	72	62	6	19 x 21.9 Hex.	87	ZT15-AQ6, ZT15-CQ6
		3/8	7/8-14UNF	77.5	67.5	7	26 x 30 Hex.	100	ZT15-AR6, ZT15-CR6
	CVC Male nut	1/4	9/16-18UNF	72	62	6	15.8 x 18.2 Hex.	86	ZT15-AW6, ZT15-CW6
		3/8	7/8-14UNF	77.5	67.5	7	23.8 x 27.5 Hex.	90.6	ZT15-AX6, ZT15-CX6
	CVC Female nut (Bearings are not included)	1/4	9/16-18UNF	72	62	6	19 x 21.9 Hex.	80.8	ZT15-AY6, ZT15-CY6
		3/8	7/8-14UNF	77.5	67.5	7	27 x 31.2 Hex.	82	ZT15-AZ6, ZT15-CZ6
Grade	Connection	Piping DIA.	Screw size M	Dimensions					Model number
				N	T	S	H	L	
BA	VCR Male nut	1/4	9/16-18UNF	72.5	62.5	6	16 x 18.5 Hex.	86	ZT15-AJN, ZT15-CJN
	VCR Female nut (Bearings are not included)						19 x 21.9 Hex.	80.8	ZT15-ALN, ZT15-CLN
	UJR Male nut						17 x 19.6 Hex.	92	ZT15-ANN, ZT15-CNN
	UJR Female nut (Without pure ring)						19 x 21.9 Hex.	81	ZT15-AQN, ZT15-CQN
	CVC Male nut						15.8 x 18.2 Hex.	86	ZT15-AWN, ZT15-CWN
	CVC Female nut (Bearings are not included)						19 x 21.9 Hex.	80.8	ZT15-AYN, ZT15-CYN

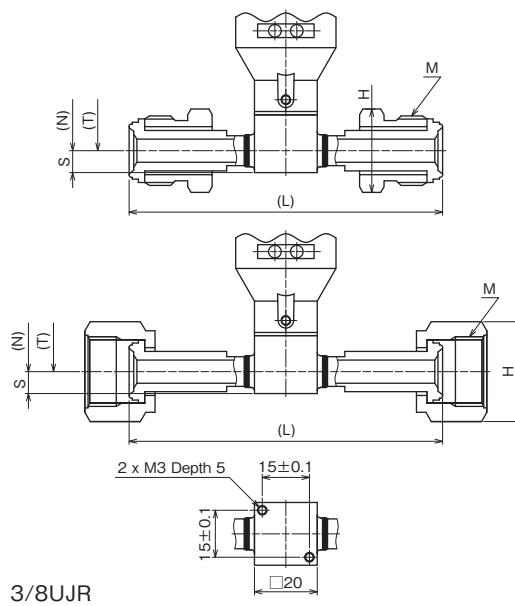
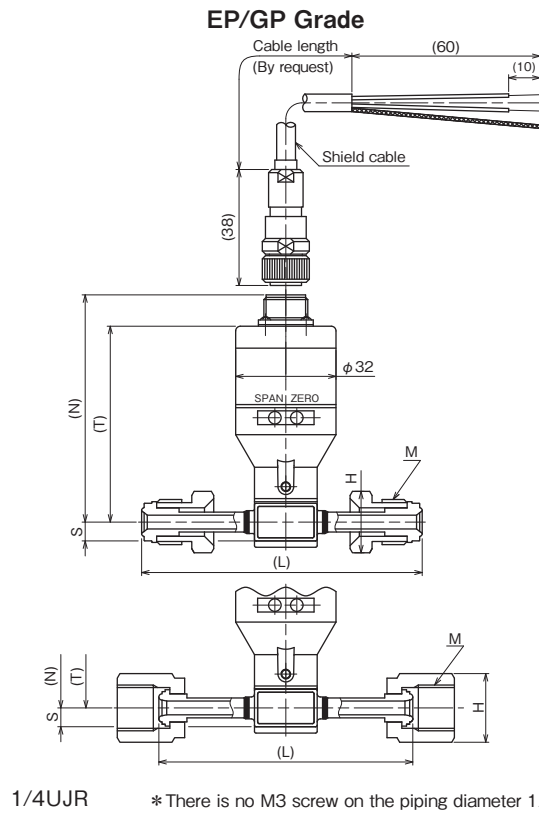
ZT15

Pressure Transmitter

Dimensions 8

External Adjustment
Type T
Male nut/Female nut

Unit: mm



Grade	Connection	Piping DIA.	Screw size M	Dimensions					Model number
				N	T	S	H	L	
EP	UJR Male nut	1/4	9/16-18UNF	72.5	62.5	6	17 x 19.6 Hex.	87	ZT15-CNE
		3/8	7/8-14UNF	77.5	67.5	7	23 x 26.6 Hex.	100	ZT15-CPE
	UJR Female nut (Without pure ring)	1/4	9/16-18UNF	72.5	62.5	6	19 x 21.9 Hex.	81	ZT15-CQE
		3/8	7/8-14UNF	77.5	67.5	7	26 x 30 Hex.	100	ZT15-CRE

Grade	Connection	Piping DIA.	Screw size M	Dimensions					Model number
				N	T	S	H	L	
GP	UJR Male nut	1/4	9/16-18UNF	72.5	62.5	6	17 x 19.6 Hex.	87	ZT15-CNG
	UJR Female nut (Without pure ring)						19 x 21.9 Hex.		

ZT15

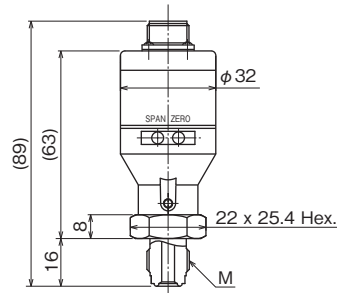
Pressure Transmitter

Dimensions 9

External Adjustment
Type S
Male Integrated

UC/BA/EP/GP Grade

Unit: mm



Compatible with 1/4 VCR

Grade	Connection	Piping DIA.	Screw size M	Model number
UC	Compatible with VCR Male integrated	1/4	9/16-18UNF	ZT15-B36, ZT15-D36

Grade	Connection	Piping DIA.	Screw size M	Model number
BA	Compatible with VCR Male integrated	1/4	9/16-18UNF	ZT15-B3N, ZT15-D3N

Grade	Connection	Piping DIA.	Screw size M	Model number
EP	Compatible with VCR Male integrated	1/4	9/16-18UNF	ZT15-D3E

Grade	Connection	Piping DIA.	Screw size M	Model number
GP	Compatible with VCR Male integrated	1/4	9/16-18UNF	ZT15-D3G

ZT15

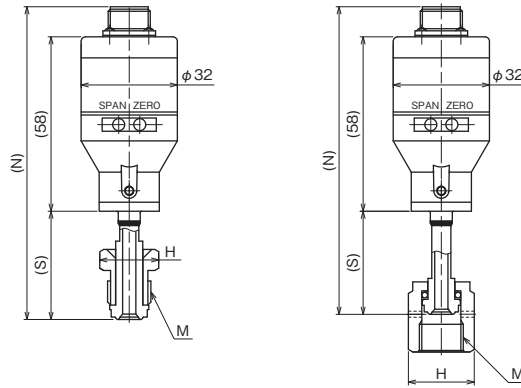
Pressure Transmitter

Dimensions 10

External Adjustment
Type S
Male nut/Female nut

UC/BA/EP/GP Grade

Unit: mm



Grade	Connection	Piping DIA.	Screw size M	Dimensions			Model number
				N	S	H	
UC	VCR Male nut	1/4	9/16-18UNF	102	34	16 x 18.5 Hex.	ZT15-BJ6, ZT15-DJ6
	VCR Female nut (Bearings are not included)			99.4	31.4	19 x 21.9 Hex.	ZT15-BL6, ZT15-DL6
	UJR Male nut			105	37	17 x 19.6 Hex.	ZT15-BN6, ZT15-DN6
	UJR Female nut (With pure ring)			102.5	34.5	19 x 21.9 Hex.	ZT15-BQ6, ZT15-DQ6
	CVC Male nut			104	36	15.8 x 18.2 Hex.	ZT15-BW6, ZT15-DW6
	CVC Female nut (Bearings are not included)			99.4	31.4	19 x 21.9 Hex.	ZT15-BY6, ZT15-DY6

Grade	Connection	Piping DIA.	Screw size M	Dimensions			Model number
				N	S	H	
BA	VCR Male nut	1/4	9/16-18UNF	102	34	16 x 18.5 Hex.	ZT15-BJN, ZT15-DJN
	VCR Female nut (Bearings are not included)			89.8	21.8	19 x 21.9 Hex.	ZT15-BLN, ZT15-DLN
	UJR Male nut			105	37	17 x 19.6 Hex.	ZT15-BNN, ZT15-DNN
	UJR Female nut (Without pure ring)			89.7	21.7	19 x 21.9 Hex.	ZT15-BQN, ZT15-DQN
	CVC Male nut			104	36	15.8 x 18.2 Hex.	ZT15-BWN, ZT15-DWN
	CVC Female nut (Bearings are not included)			99.4	31.4	19 x 21.9 Hex.	ZT15-BYN, ZT15-DYN

Grade	Connection	Piping DIA.	Screw size M	Dimensions			Model number
				N	S	H	
EP	UJR Male nut	1/4	9/16-18UNF	102.5	34.5	17 x 19.6 Hex.	ZT15-DNE
	UJR Female nut (Without pure ring)			99.5	31.5	19 x 21.9 Hex.	ZT15-DQE

Grade	Connection	Piping DIA.	Screw size M	Dimensions			Model number
				N	S	H	
GP	UJR Male nut	1/4	9/16-18UNF	102.5	34.5	17 x 19.6 Hex.	ZT15-DNG
	UJR Female nut (Without pure ring)			99.5	31.5	19 x 21.9 Hex.	ZT15-DQG

ZT15

Pressure Transmitter

Pressure Transmitters, UC Grade **CE compliant**

Model number configuration

Please specify the model number, each specs and the range for ordering.

Model		<table border="1"> <tr> <td>Z</td><td>T</td><td>1</td><td>5</td> <td>—</td> <td></td><td></td><td>6</td> <td>—</td> <td></td><td></td><td></td><td></td><td></td><td></td> <td>×</td><td>×</td><td>×</td><td>×</td><td>×</td><td>×</td><td></td> </tr> <tr> <td></td><td></td><td></td><td></td> <td></td><td>①</td><td>②</td><td>③</td> <td></td><td>④</td><td>⑤</td><td>⑥</td><td>⑦</td><td>⑧</td><td>⑨</td><td>⑩</td><td>⑪</td><td>⑫</td><td>⑬</td><td>⑭</td><td>⑮</td> </tr> </table>															Z	T	1	5	—			6	—							×	×	×	×	×	×							①	②	③		④	⑤	⑥	⑦	⑧	⑨	⑩	⑪	⑫	⑬	⑭	⑮
Z	T	1	5	—			6	—							×	×	×	×	×	×																																							
					①	②	③		④	⑤	⑥	⑦	⑧	⑨	⑩	⑪	⑫	⑬	⑭	⑮																																							
Pressure Transmitter UC Grade																																																											
Model number		Selective spec.													Additional spec. (Option)																																												
①	Mounting *1	C	Type T, External adjustment connector type, CE compliant																																																								
		D	Type S, External adjustment connector type, CE compliant																																																								
		M	Type T, Internal adjustment connector type, CE compliant																																																								
		N	Type S, Internal adjustment connector type, CE compliant																																																								
②	Connection	3	1/4	Compatible with VCR Male integrated										Type S	Type T																																												
		J	1/4	VCR Male nut										○	○																																												
		K	3/8											×	○																																												
		L	1/4	VCR Female nut (Bearings are not included)										○	○																																												
		M	3/8											×	○																																												
		N	1/4	UJR Male nut										○	○																																												
		P	3/8											×	○																																												
		Q	1/4	UJR Female nut (With pure ring)										○	○																																												
		R	3/8											×	○																																												
		W	1/4	CVC Male nut										○	○																																												
		X	3/8											×	○																																												
		Y	1/4	CVC Female nut (Bearings are not included)										○	○																																												
		Z	3/8											×	○																																												
③	Wetted parts by grade *2	6	UC Grade ・Pressure sensor: Co-Ni alloy (All welding) ・Fitting: SUS316L																																																								
④	Pressure range	C	-0.1 to 0.3MPa																																																								
		D	-0.1 to 0.5MPa																																																								
		E	-0.1 to 1MPa																																																								
		F	-0.1 to 2MPa																																																								
		1	0 to 0.3MPa																																																								
		2	0 to 0.5MPa																																																								
		3	0 to 1MPa																																																								
		4	0 to 2MPa																																																								
		5	0 to 3.5MPa																																																								
		6	0 to 5MPa																																																								
		7	0 to 10MPa																																																								
		8	0 to 20MPa																																																								
⑤	Accuracy	5	±0.5%F.S. (0.5MPa range or greater can be specified)																																																								
		7	±1.0%F.S.																																																								
⑥	Power source	1	24V DC±10%																																																								
		6	12V DC±10% (3-wire system only)																																																								
⑦	Output	1	4 to 20 mA DC (2-wire system)																																																								
		8	1 to 5V DC (3-wire system)																																																								
⑧	Adjustment cable specification (A heat resistant shield cable)	0	Nil																																																								
		1	Cable length: 1 m																																																								
		2	Cable length: 2 m																																																								
		3	Cable length: 3 m (Standard)																																																								
		5	Cable length: 5 m																																																								
		9	Others length specification																																																								
⑮	Document	0	Nil																																																								
		1	Required (Please specify the desired documents separately.) Submission drawings, instruction manual, inspection procedure, mill test report, test report (1 pc 1 copy), inspection / traceability certificate, strength calculation, attended inspection																																																								

Please specify the pressure range and units separately besides selection of range code.

*1 ZT15-1□□, ZT15-2□□, ZT15-A□□, and ZT15-B□□ are non-CE compliant.

*2 For UC Grade, the pressure transmitter can be manufactured in DOUBLE MELT material by request. Please contact us.

*Specify "X" if there is no applicable specification.

ZT15

Pressure Transmitter

Pressure Transmitters, UC Grade Non-CE compliant

Model number configuration

Please specify the model number, each specs and the range for ordering.

Model

Z	T	1	5	6	X	X	X	X	X	X	X	X	X	X
①	②	③	④	⑤	⑥	⑦	⑧	⑨	⑩	⑪	⑫	⑬	⑭	⑮

Pressure Transmitter
UC Grade
(Non-CE compliant)

Model number	Selective spec.	Additional spec. (Option)																																																																																																																																																																																																																								
<p>① Mounting *1</p> <table border="1" style="width: 100%; border-collapse: collapse;"> <tr><td style="width: 20px; text-align: center;">1</td><td>Type T, Internal adjustment connector type</td></tr> <tr><td style="text-align: center;">2</td><td>Type S, Internal adjustment connector type</td></tr> <tr><td style="text-align: center;">A</td><td>Type T, External adjustment connector type</td></tr> <tr><td style="text-align: center;">B</td><td>Type S, External adjustment connector type</td></tr> </table>	1	Type T, Internal adjustment connector type	2	Type S, Internal adjustment connector type	A	Type T, External adjustment connector type	B	Type S, External adjustment connector type	<p>② Connection</p> <table border="1" style="width: 100%; border-collapse: collapse;"> <thead> <tr> <th style="width: 10%;"></th> <th style="width: 10%;"></th> <th style="width: 10%;"></th> <th style="width: 10%;"></th> <th style="width: 10%;"></th> <th style="width: 10%;"></th> <th style="width: 10%;"></th> <th style="width: 10%;"></th> <th style="width: 10%;"></th> <th style="width: 10%;">Type S</th> <th style="width: 10%;">Type T</th> </tr> </thead> <tbody> <tr><td style="text-align: center;">3</td><td>1/4</td><td>Compatible with VCR Male integrated</td><td></td><td></td><td></td><td></td><td></td><td></td><td style="text-align: center;">○</td><td style="text-align: center;">○</td></tr> <tr><td style="text-align: center;">J</td><td>1/4</td><td rowspan="2">VCR Male nut</td><td></td><td></td><td></td><td></td><td></td><td></td><td style="text-align: center;">○</td><td style="text-align: center;">○</td></tr> <tr><td style="text-align: center;">K</td><td>3/8</td><td></td><td></td><td></td><td></td><td></td><td></td><td style="text-align: center;">×</td><td style="text-align: center;">○</td></tr> <tr><td style="text-align: center;">L</td><td>1/4</td><td rowspan="2">VCR Female nut (Bearings are not included)</td><td></td><td></td><td></td><td></td><td></td><td></td><td style="text-align: center;">○</td><td style="text-align: center;">○</td></tr> <tr><td style="text-align: center;">M</td><td>3/8</td><td></td><td></td><td></td><td></td><td></td><td></td><td style="text-align: center;">×</td><td style="text-align: center;">○</td></tr> <tr><td style="text-align: center;">N</td><td>1/4</td><td rowspan="2">UJR Male nut</td><td></td><td></td><td></td><td></td><td></td><td></td><td style="text-align: center;">○</td><td style="text-align: center;">○</td></tr> <tr><td style="text-align: center;">P</td><td>3/8</td><td></td><td></td><td></td><td></td><td></td><td></td><td style="text-align: center;">×</td><td style="text-align: center;">○</td></tr> <tr><td style="text-align: center;">Q</td><td>1/4</td><td rowspan="2">UJR Female nut (With pure ring)</td><td></td><td></td><td></td><td></td><td></td><td></td><td style="text-align: center;">○</td><td style="text-align: center;">○</td></tr> <tr><td style="text-align: center;">R</td><td>3/8</td><td></td><td></td><td></td><td></td><td></td><td></td><td style="text-align: center;">×</td><td style="text-align: center;">○</td></tr> <tr><td style="text-align: center;">W</td><td>1/4</td><td rowspan="2">CVC Male nut</td><td></td><td></td><td></td><td></td><td></td><td></td><td style="text-align: center;">○</td><td style="text-align: center;">○</td></tr> <tr><td style="text-align: center;">X</td><td>3/8</td><td></td><td></td><td></td><td></td><td></td><td></td><td style="text-align: center;">×</td><td style="text-align: center;">○</td></tr> <tr><td style="text-align: center;">Y</td><td>1/4</td><td rowspan="2">CVC Female nut (Bearings are not included)</td><td></td><td></td><td></td><td></td><td></td><td></td><td style="text-align: center;">○</td><td style="text-align: center;">○</td></tr> <tr><td style="text-align: center;">Z</td><td>3/8</td><td></td><td></td><td></td><td></td><td></td><td></td><td style="text-align: center;">×</td><td style="text-align: center;">○</td></tr> </tbody> </table>										Type S	Type T	3	1/4	Compatible with VCR Male integrated							○	○	J	1/4	VCR Male nut							○	○	K	3/8							×	○	L	1/4	VCR Female nut (Bearings are not included)							○	○	M	3/8							×	○	N	1/4	UJR Male nut							○	○	P	3/8							×	○	Q	1/4	UJR Female nut (With pure ring)							○	○	R	3/8							×	○	W	1/4	CVC Male nut							○	○	X	3/8							×	○	Y	1/4	CVC Female nut (Bearings are not included)							○	○	Z	3/8							×	○	<p>③ Wetted parts by grade *2</p> <table border="1" style="width: 100%; border-collapse: collapse;"> <tr> <td style="width: 20px; text-align: center;">6</td> <td>UC Grade •Pressure sensor: Co-Ni alloy (All welding) •Fitting: SUS316L</td> </tr> </table>	6	UC Grade •Pressure sensor: Co-Ni alloy (All welding) •Fitting: SUS316L	<p>④ Pressure range</p> <table border="1" style="width: 100%; border-collapse: collapse;"> <tr><td style="text-align: center;">C</td><td>-0.1 to 0.3MPa</td></tr> <tr><td style="text-align: center;">D</td><td>-0.1 to 0.5MPa</td></tr> <tr><td style="text-align: center;">E</td><td>-0.1 to 1MPa</td></tr> <tr><td style="text-align: center;">F</td><td>-0.1 to 2MPa</td></tr> <tr><td style="text-align: center;">1</td><td>0 to 0.3MPa</td></tr> <tr><td style="text-align: center;">2</td><td>0 to 0.5MPa</td></tr> <tr><td style="text-align: center;">3</td><td>0 to 1MPa</td></tr> <tr><td style="text-align: center;">4</td><td>0 to 2MPa</td></tr> <tr><td style="text-align: center;">5</td><td>0 to 3.5MPa</td></tr> <tr><td style="text-align: center;">6</td><td>0 to 5MPa</td></tr> <tr><td style="text-align: center;">7</td><td>0 to 10MPa</td></tr> <tr><td style="text-align: center;">8</td><td>0 to 20MPa</td></tr> </table>	C	-0.1 to 0.3MPa	D	-0.1 to 0.5MPa	E	-0.1 to 1MPa	F	-0.1 to 2MPa	1	0 to 0.3MPa	2	0 to 0.5MPa	3	0 to 1MPa	4	0 to 2MPa	5	0 to 3.5MPa	6	0 to 5MPa	7	0 to 10MPa	8	0 to 20MPa	<p>⑤ Accuracy</p> <table border="1" style="width: 100%; border-collapse: collapse;"> <tr> <td style="width: 20px; text-align: center;">5</td> <td>±0.5%F.S. (0.5MPa range or greater can be specified)</td> </tr> <tr> <td style="text-align: center;">7</td> <td>±1.0%F.S.</td> </tr> </table>	5	±0.5%F.S. (0.5MPa range or greater can be specified)	7	±1.0%F.S.	<p>⑥ Power source</p> <table border="1" style="width: 100%; border-collapse: collapse;"> <tr> <td style="width: 20px; text-align: center;">1</td> <td>24V DC±10%</td> </tr> <tr> <td style="text-align: center;">6</td> <td>12V DC±10% (3-wire system only)</td> </tr> </table>	1	24V DC±10%	6	12V DC±10% (3-wire system only)	<p>⑦ Output</p> <table border="1" style="width: 100%; border-collapse: collapse;"> <tr> <td style="width: 20px; text-align: center;">1</td> <td>4 to 20 mA DC (2-wire system)</td> </tr> <tr> <td style="text-align: center;">8</td> <td>1 to 5V DC (3-wire system)</td> </tr> </table>	1	4 to 20 mA DC (2-wire system)	8	1 to 5V DC (3-wire system)	<p>⑧ Adjustment cable specification (A heat resistant shield cable)</p> <table border="1" style="width: 100%; border-collapse: collapse;"> <tr><td style="text-align: center;">0</td><td>Nil</td></tr> <tr><td style="text-align: center;">1</td><td>Cable length: 1 m</td></tr> <tr><td style="text-align: center;">2</td><td>Cable length: 2 m</td></tr> <tr><td style="text-align: center;">3</td><td>Cable length: 3 m (Standard)</td></tr> <tr><td style="text-align: center;">5</td><td>Cable length: 5 m</td></tr> <tr><td style="text-align: center;">9</td><td>Others length specification</td></tr> </table>	0	Nil	1	Cable length: 1 m	2	Cable length: 2 m	3	Cable length: 3 m (Standard)	5	Cable length: 5 m	9	Others length specification	<p>⑮ Document</p> <table border="1" style="width: 100%; border-collapse: collapse;"> <tr> <td style="width: 20px; text-align: center;">0</td> <td>Nil</td> </tr> <tr> <td style="text-align: center;">1</td> <td>Required (Please specify the desired documents separately.) Submission drawings, instruction manual, inspection procedure, mill test report, test report (1 pc 1 copy), inspection / traceability certificate, strength calculation, attended inspection</td> </tr> </table>	0	Nil	1	Required (Please specify the desired documents separately.) Submission drawings, instruction manual, inspection procedure, mill test report, test report (1 pc 1 copy), inspection / traceability certificate, strength calculation, attended inspection
1	Type T, Internal adjustment connector type																																																																																																																																																																																																																									
2	Type S, Internal adjustment connector type																																																																																																																																																																																																																									
A	Type T, External adjustment connector type																																																																																																																																																																																																																									
B	Type S, External adjustment connector type																																																																																																																																																																																																																									
									Type S	Type T																																																																																																																																																																																																																
3	1/4	Compatible with VCR Male integrated							○	○																																																																																																																																																																																																																
J	1/4	VCR Male nut							○	○																																																																																																																																																																																																																
K	3/8								×	○																																																																																																																																																																																																																
L	1/4	VCR Female nut (Bearings are not included)							○	○																																																																																																																																																																																																																
M	3/8								×	○																																																																																																																																																																																																																
N	1/4	UJR Male nut							○	○																																																																																																																																																																																																																
P	3/8								×	○																																																																																																																																																																																																																
Q	1/4	UJR Female nut (With pure ring)							○	○																																																																																																																																																																																																																
R	3/8								×	○																																																																																																																																																																																																																
W	1/4	CVC Male nut							○	○																																																																																																																																																																																																																
X	3/8								×	○																																																																																																																																																																																																																
Y	1/4	CVC Female nut (Bearings are not included)							○	○																																																																																																																																																																																																																
Z	3/8								×	○																																																																																																																																																																																																																
6	UC Grade •Pressure sensor: Co-Ni alloy (All welding) •Fitting: SUS316L																																																																																																																																																																																																																									
C	-0.1 to 0.3MPa																																																																																																																																																																																																																									
D	-0.1 to 0.5MPa																																																																																																																																																																																																																									
E	-0.1 to 1MPa																																																																																																																																																																																																																									
F	-0.1 to 2MPa																																																																																																																																																																																																																									
1	0 to 0.3MPa																																																																																																																																																																																																																									
2	0 to 0.5MPa																																																																																																																																																																																																																									
3	0 to 1MPa																																																																																																																																																																																																																									
4	0 to 2MPa																																																																																																																																																																																																																									
5	0 to 3.5MPa																																																																																																																																																																																																																									
6	0 to 5MPa																																																																																																																																																																																																																									
7	0 to 10MPa																																																																																																																																																																																																																									
8	0 to 20MPa																																																																																																																																																																																																																									
5	±0.5%F.S. (0.5MPa range or greater can be specified)																																																																																																																																																																																																																									
7	±1.0%F.S.																																																																																																																																																																																																																									
1	24V DC±10%																																																																																																																																																																																																																									
6	12V DC±10% (3-wire system only)																																																																																																																																																																																																																									
1	4 to 20 mA DC (2-wire system)																																																																																																																																																																																																																									
8	1 to 5V DC (3-wire system)																																																																																																																																																																																																																									
0	Nil																																																																																																																																																																																																																									
1	Cable length: 1 m																																																																																																																																																																																																																									
2	Cable length: 2 m																																																																																																																																																																																																																									
3	Cable length: 3 m (Standard)																																																																																																																																																																																																																									
5	Cable length: 5 m																																																																																																																																																																																																																									
9	Others length specification																																																																																																																																																																																																																									
0	Nil																																																																																																																																																																																																																									
1	Required (Please specify the desired documents separately.) Submission drawings, instruction manual, inspection procedure, mill test report, test report (1 pc 1 copy), inspection / traceability certificate, strength calculation, attended inspection																																																																																																																																																																																																																									

Please specify the pressure range and units separately besides selection of range code.

* 1 ZT15-1□□, ZT15-2□□, ZT15-A□□, and ZT15-B□□ are non-CE compliant.

* 2 For UC Grade, the pressure transmitter can be manufactured in DOUBLE MELT material by request. Please contact us.

*Specify "X" if there is no applicable specification.

Model number configuration

Please specify the model number, each specs and the range for ordering.

Model	<div style="border: 1px solid black; padding: 5px; display: inline-block;"> Z T 1 5 </div>	—	<div style="display: flex; gap: 5px;"> <div style="border: 1px solid black; width: 20px; height: 20px; background-color: #f96;"></div> <div style="border: 1px solid black; width: 20px; height: 20px; background-color: #f96;"></div> <div style="border: 1px solid black; width: 20px; height: 20px; background-color: #f96; text-align: center;">E</div> </div>	—	<div style="display: flex; gap: 5px;"> <div style="border: 1px solid black; width: 20px; height: 20px; background-color: #f96;"></div> <div style="border: 1px solid black; width: 20px; height: 20px; background-color: #f96;"></div> <div style="border: 1px solid black; width: 20px; height: 20px; background-color: #f96;"></div> <div style="border: 1px solid black; width: 20px; height: 20px; background-color: #f96;"></div> <div style="border: 1px solid black; width: 20px; height: 20px; background-color: #ccc; text-align: center;">×</div> <div style="border: 1px solid black; width: 20px; height: 20px; background-color: #ccc; text-align: center;">×</div> <div style="border: 1px solid black; width: 20px; height: 20px; background-color: #ccc; text-align: center;">×</div> <div style="border: 1px solid black; width: 20px; height: 20px; background-color: #ccc; text-align: center;">×</div> <div style="border: 1px solid black; width: 20px; height: 20px; background-color: #ccc; text-align: center;">×</div> <div style="border: 1px solid black; width: 20px; height: 20px; background-color: #ccc; text-align: center;">×</div> </div>													
	①	②	③	④	⑤	⑥	⑦	⑧	⑨	⑩	⑪	⑫	⑬	⑭	⑮			
Pressure Transmitter		EP Grade																
Model number				Selective spec.				Additional spec. (Option)										
① Mounting		C	Type T, External adjustment connector type, CE compliant															
		D	Type S, External adjustment connector type, CE compliant															
		M	Type T, Internal adjustment connector type, CE compliant															
		N	Type S, Internal adjustment connector type, CE compliant															
② Connection		3	1/4	Compatible with VCR Male integrated										○	○			
		4	1/2 (3/8)	Compatible with VCR Male integrated										×	○			
		N	1/4	UJR Male nut										○	○			
		P	3/8											×	○			
		Q	1/4	UJR Female nut (Without pure ring)										○	○			
		R	3/8											×	○			
③ Wetted parts by grade		E	EP Grade •Pressure sensor: SUS316L (All welding) •Fitting: SUS316L															
④ Pressure range		C	-0.1 to 0.3MPa															
		D	-0.1 to 0.5MPa															
		E	-0.1 to 1MPa															
		F	-0.1 to 2MPa															
		1	0 to 0.3MPa															
		2	0 to 0.5MPa															
		3	0 to 1MPa															
		4	0 to 2MPa															
		5	0 to 3.5MPa															
⑤ Accuracy		5	±0.5%F.S. (0.5MPa range or greater can be specified)															
		7	±1.0%F.S.															
		⑥ Power source		1	24V DC±10%													
				6	12V DC±10% (3-wire system only)													
		⑦ Output		1	4 to 20 mA DC (2-wire system)													
				8	1 to 5V DC (3-wire system)													
		⑧ Adjustment cable specification (A heat resistant shield cable)		0	Nil													
				1	Cable length: 1 m													
2	Cable length: 2 m																	
3	Cable length: 3 m (Standard)																	
5	Cable length: 5 m																	
⑮ Document		0	Nil															
		1	Required (Please specify the desired documents separately.) Submission drawings, instruction manual, inspection procedure, mill test report, test report (1 pc 1 copy), inspection / traceability certificate, strength calculation, attended inspection															

Please specify the pressure range and units separately besides selection of range code.

*Specify "X" if there is no applicable specification.

Model number configuration

Please specify the model number, each specs and the range for ordering.

Model	<div style="display: flex; align-items: center; gap: 10px;"> <div style="border: 1px solid black; padding: 5px; display: inline-block;">Z T 1 5</div> — <div style="display: flex; gap: 5px;"> <div style="border: 1px solid black; width: 20px; height: 20px; display: flex; align-items: center; justify-content: center;">①</div> <div style="border: 1px solid black; width: 20px; height: 20px; display: flex; align-items: center; justify-content: center;">②</div> <div style="border: 1px solid black; width: 20px; height: 20px; display: flex; align-items: center; justify-content: center;">G</div> </div> — <div style="display: flex; gap: 5px;"> <div style="border: 1px solid black; width: 20px; height: 20px; display: flex; align-items: center; justify-content: center;">④</div> <div style="border: 1px solid black; width: 20px; height: 20px; display: flex; align-items: center; justify-content: center;">⑤</div> <div style="border: 1px solid black; width: 20px; height: 20px; display: flex; align-items: center; justify-content: center;">⑥</div> <div style="border: 1px solid black; width: 20px; height: 20px; display: flex; align-items: center; justify-content: center;">⑦</div> <div style="border: 1px solid black; width: 20px; height: 20px; display: flex; align-items: center; justify-content: center;">⑧</div> <div style="border: 1px solid black; width: 20px; height: 20px; display: flex; align-items: center; justify-content: center;">×</div> <div style="border: 1px solid black; width: 20px; height: 20px; display: flex; align-items: center; justify-content: center;">×</div> <div style="border: 1px solid black; width: 20px; height: 20px; display: flex; align-items: center; justify-content: center;">×</div> <div style="border: 1px solid black; width: 20px; height: 20px; display: flex; align-items: center; justify-content: center;">×</div> <div style="border: 1px solid black; width: 20px; height: 20px; display: flex; align-items: center; justify-content: center;">×</div> <div style="border: 1px solid black; width: 20px; height: 20px; display: flex; align-items: center; justify-content: center;">×</div> <div style="border: 1px solid black; width: 20px; height: 20px; display: flex; align-items: center; justify-content: center;">⑮</div> </div> </div>																																																																										
Pressure Transmitter GP Grade																																																																											
Model number	<table border="1" style="width: 100%; border-collapse: collapse;"> <thead> <tr> <th style="width: 30%;"></th> <th style="width: 30%; text-align: center;">Selective spec.</th> <th style="width: 40%; text-align: center;">Additional spec. (Option)</th> </tr> </thead> <tbody> <tr> <td rowspan="4">① Mounting</td> <td style="text-align: center;">C</td> <td>Type T, External adjustment connector type, CE compliant</td> </tr> <tr> <td style="text-align: center;">D</td> <td>Type S, External adjustment connector type, CE compliant</td> </tr> <tr> <td style="text-align: center;">M</td> <td>Type T, Internal adjustment connector type, CE compliant</td> </tr> <tr> <td style="text-align: center;">N</td> <td>Type S, Internal adjustment connector type, CE compliant</td> </tr> <tr> <td rowspan="3">② Connection</td> <td style="text-align: center;">3</td> <td>1/4 Compatible with VCR Male integrated</td> </tr> <tr> <td style="text-align: center;">N</td> <td>1/4 UJR Male nut</td> </tr> <tr> <td style="text-align: center;">Q</td> <td>1/4 UJR Female nut (Without pure ring)</td> </tr> <tr> <td rowspan="2">③ Wetted parts by grade</td> <td style="text-align: center;">G</td> <td>GP Grade •Pressure sensor: SUS316L (All welding) •Fitting: SUS316L</td> </tr> <tr> <td colspan="2">④ Pressure range</td> </tr> <tr> <td rowspan="9">Please specify the pressure range and units separately besides selection of range code.</td> <td style="text-align: center;">C</td> <td>-0.1 to 0.3MPa</td> </tr> <tr> <td style="text-align: center;">D</td> <td>-0.1 to 0.5MPa</td> </tr> <tr> <td style="text-align: center;">E</td> <td>-0.1 to 1MPa</td> </tr> <tr> <td style="text-align: center;">F</td> <td>-0.1 to 2MPa</td> </tr> <tr> <td style="text-align: center;">1</td> <td>0 to 0.3MPa</td> </tr> <tr> <td style="text-align: center;">2</td> <td>0 to 0.5MPa</td> </tr> <tr> <td style="text-align: center;">3</td> <td>0 to 1MPa</td> </tr> <tr> <td style="text-align: center;">4</td> <td>0 to 2MPa</td> </tr> <tr> <td style="text-align: center;">5</td> <td>0 to 3.5MPa</td> </tr> <tr> <td rowspan="2">⑤ Accuracy</td> <td style="text-align: center;">5</td> <td>±0.5%F.S. (0.5MPa range or greater can be specified)</td> </tr> <tr> <td style="text-align: center;">7</td> <td>±1.0%F.S.</td> </tr> <tr> <td rowspan="2">⑥ Power source</td> <td style="text-align: center;">1</td> <td>24V DC±10%</td> </tr> <tr> <td style="text-align: center;">6</td> <td>12V DC±10% (3-wire system only)</td> </tr> <tr> <td rowspan="2">⑦ Output</td> <td style="text-align: center;">1</td> <td>4 to 20 mA DC (2-wire system)</td> </tr> <tr> <td style="text-align: center;">8</td> <td>1 to 5V DC (3-wire system)</td> </tr> <tr> <td rowspan="5">⑧ Adjustment cable specification (A heat resistant shield cable)</td> <td style="text-align: center;">0</td> <td>Nil</td> </tr> <tr> <td style="text-align: center;">1</td> <td>Cable length: 1 m</td> </tr> <tr> <td style="text-align: center;">2</td> <td>Cable length: 2 m</td> </tr> <tr> <td style="text-align: center;">3</td> <td>Cable length: 3 m (Standard)</td> </tr> <tr> <td style="text-align: center;">5</td> <td>Cable length: 5 m</td> </tr> <tr> <td rowspan="2">⑮ Document</td> <td style="text-align: center;">0</td> <td>Nil</td> </tr> <tr> <td style="text-align: center;">1</td> <td>Required (Please specify the desired documents separately.) Submission drawings, instruction manual, inspection procedure, mill test report, test report (1 pc 1 copy), inspection / traceability certificate, strength calculation, attended inspection</td> </tr> </tbody> </table>		Selective spec.	Additional spec. (Option)	① Mounting	C	Type T, External adjustment connector type, CE compliant	D	Type S, External adjustment connector type, CE compliant	M	Type T, Internal adjustment connector type, CE compliant	N	Type S, Internal adjustment connector type, CE compliant	② Connection	3	1/4 Compatible with VCR Male integrated	N	1/4 UJR Male nut	Q	1/4 UJR Female nut (Without pure ring)	③ Wetted parts by grade	G	GP Grade •Pressure sensor: SUS316L (All welding) •Fitting: SUS316L	④ Pressure range		Please specify the pressure range and units separately besides selection of range code.	C	-0.1 to 0.3MPa	D	-0.1 to 0.5MPa	E	-0.1 to 1MPa	F	-0.1 to 2MPa	1	0 to 0.3MPa	2	0 to 0.5MPa	3	0 to 1MPa	4	0 to 2MPa	5	0 to 3.5MPa	⑤ Accuracy	5	±0.5%F.S. (0.5MPa range or greater can be specified)	7	±1.0%F.S.	⑥ Power source	1	24V DC±10%	6	12V DC±10% (3-wire system only)	⑦ Output	1	4 to 20 mA DC (2-wire system)	8	1 to 5V DC (3-wire system)	⑧ Adjustment cable specification (A heat resistant shield cable)	0	Nil	1	Cable length: 1 m	2	Cable length: 2 m	3	Cable length: 3 m (Standard)	5	Cable length: 5 m	⑮ Document	0	Nil	1	Required (Please specify the desired documents separately.) Submission drawings, instruction manual, inspection procedure, mill test report, test report (1 pc 1 copy), inspection / traceability certificate, strength calculation, attended inspection
	Selective spec.	Additional spec. (Option)																																																																									
① Mounting	C	Type T, External adjustment connector type, CE compliant																																																																									
	D	Type S, External adjustment connector type, CE compliant																																																																									
	M	Type T, Internal adjustment connector type, CE compliant																																																																									
	N	Type S, Internal adjustment connector type, CE compliant																																																																									
② Connection	3	1/4 Compatible with VCR Male integrated																																																																									
	N	1/4 UJR Male nut																																																																									
	Q	1/4 UJR Female nut (Without pure ring)																																																																									
③ Wetted parts by grade	G	GP Grade •Pressure sensor: SUS316L (All welding) •Fitting: SUS316L																																																																									
	④ Pressure range																																																																										
Please specify the pressure range and units separately besides selection of range code.	C	-0.1 to 0.3MPa																																																																									
	D	-0.1 to 0.5MPa																																																																									
	E	-0.1 to 1MPa																																																																									
	F	-0.1 to 2MPa																																																																									
	1	0 to 0.3MPa																																																																									
	2	0 to 0.5MPa																																																																									
	3	0 to 1MPa																																																																									
	4	0 to 2MPa																																																																									
	5	0 to 3.5MPa																																																																									
⑤ Accuracy	5	±0.5%F.S. (0.5MPa range or greater can be specified)																																																																									
	7	±1.0%F.S.																																																																									
⑥ Power source	1	24V DC±10%																																																																									
	6	12V DC±10% (3-wire system only)																																																																									
⑦ Output	1	4 to 20 mA DC (2-wire system)																																																																									
	8	1 to 5V DC (3-wire system)																																																																									
⑧ Adjustment cable specification (A heat resistant shield cable)	0	Nil																																																																									
	1	Cable length: 1 m																																																																									
	2	Cable length: 2 m																																																																									
	3	Cable length: 3 m (Standard)																																																																									
	5	Cable length: 5 m																																																																									
⑮ Document	0	Nil																																																																									
	1	Required (Please specify the desired documents separately.) Submission drawings, instruction manual, inspection procedure, mill test report, test report (1 pc 1 copy), inspection / traceability certificate, strength calculation, attended inspection																																																																									

*Specify "X" if there is no applicable specification.