

# SF10 · HF10

## Safety Chamber

### Overview

In the unlikely event that pressure sensing element breaks, incorporated diaphragm prevents from leakage of process media working as safety valve. Intermediary liquid is enclosed between diaphragm and pressure sensing element.

### Features

- Wetted parts made of stainless steel offers excellent corrosion proof.



### Product Specifications

**Media:**

Fluids or Gases

**Type:**

Threaded

**Process Connection:**

G3/8B, G1/2B

**Wetted Parts:**

Lower flange SUS316  
 Diaphragm SUS316  
 Gasket PTFE (Not installed into  $\phi 40$  for high pressure use)

Make sure to select appropriate material of gasket compatible with process media  
 (Contact us where there is a risk of process media entry)

**Diaphragm Size:**

$\phi 40$ ,  $\phi 60$ ,  $\phi 80$ ,  $\phi 110$   
 $\phi 40$  for high pressure use (Welded)

**Working Pressure:**

0 to 0.06MPa→0 to 35MPa  
 (depending on the size of diaphragm)

**Operating Temperature Range:**

Process -5 to 100°C  
 Ambient -5 to 40°C

**Enclosed Liquid:**

Silicone Oil

**Upper Flange Material:**

S25C (Nickel plating) or SUS316  
 (SUS316 only for  $\phi 40$  for high pressure use)

**Flang Clamping Bolt Material:**

SUS305

**Weight:**

$\phi 40$  Approx. 2.1kg  
 $\phi 60$  Approx. 2.7kg  
 $\phi 80$  Approx. 3.5kg  
 $\phi 110$  Approx. 4.4kg  
 $\phi 40$  for higher pressure use Approx. 2.1kg

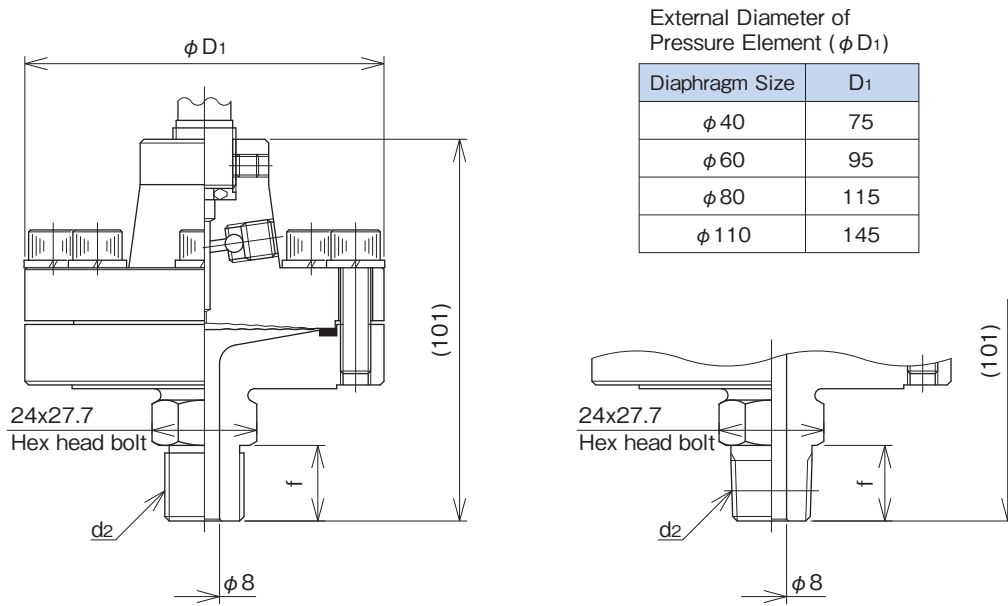
\*Unlike diaphragm seal pressure gauge, remote type or use in higher operating temperature is out of specification.

# SF10 · HF10

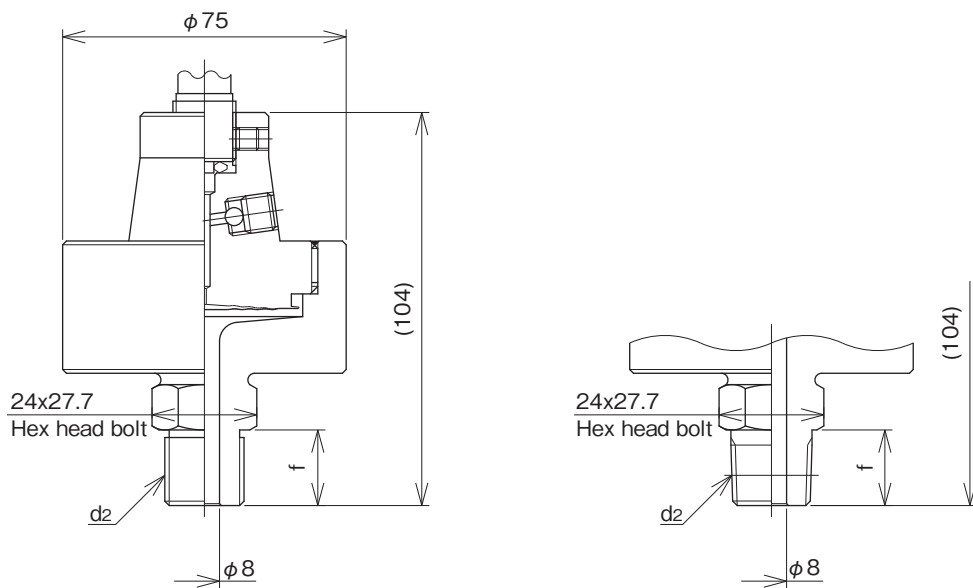
## Safety Chamber

### Dimensions

Unit: mm



Safety Chamber (SF10)



Safety Chamber for Higher Pressure (HF10)

Dimensions for Process Connection

d2	f
G1/2B	20
G3/8B	18
R1/2	20
R3/8	18

# SF10·HF10

## Safety Chamber

### Model number configuration

Please specify the model, each requiring specification and pressure range to order.

Model																	
SF10			03			3			×			1					
Safety Chamber			①	②	③	④	⑤	⑥	⑦	⑧	⑨	⑩	⑪	⑫	⑬	⑭	⑮
Part number						Product specifications						Additional specifications (Optional)					
SF10			Standard Process Connection: G3/8B, G1/2B Wetted Parts: Lower flange; SUS316 Diaphragm; SUS316 Gasket; PTFE Enclosed Liquid: Silicone Oil														
HF10			High pressure use (Welded) Process Connection: G3/8B, G1/2B Wetted Parts: Lower flange; SUS316 Diaphragm; SUS316 Upper Flange; SUS316 Enclosed Liquid: Silicone Oil														
① Process Connection		3	G3/8B														
		4	G1/2B														
		G	R3/8														
		H	R1/2														
② Type		0	Threaded														
③ Wetted Parts (Lower flange)		3	SUS316														
Please specify pressure range along with corresponding size of diaphragm		④ Diaphragm Size		Size		Standard (SF10)			High pressure use (HF10)								
				4	φ40	0 to 6, 10, 16MPa			0 to 20, 25, 35MPa								
				6	φ60	0 to 0.6, 1, 1.6, 2.5, 4MPa			—————								
				8	φ80	0 to 0.1, 0.16, 0.25, 0.4MPa			—————								
		9	φ110	0 to 0.06MPa			—————										
⑤ Diaphragm Material		3	SUS316														
⑥ Upper Flange Material		2	Standard S25C Not available for high pressure use (HF10)														
		3	SUS316														
⑧ Treatment		0	Not required														
		1	Use no oil														
		2	Use no water														
		3	Use no oil & water														
Specify other types of pressure indicator if required.		⑨⑩⑪⑫ Indicator		BE10	φ100 Industrial process gauge with standard specs.												
				BE12	φ100 Industrial process gauge with standard specs.												
				GV42	φ100 Glycerine filled gauge with standard specs.												
⑬ Indicator Material		1	General use														
		3	Corrosion-proof use (excludes GV42)														
⑭ Mating Connection		1	Integral														
⑮ Documents		0	Not required														
		1	Required (Documents available upon request) Datasheet (Drawing / Specifications) Instruction manual Inspection procedure Mill test report Calibration test report (One-part one sheet) Inspection / Traceability certificate Strength calculation sheet Attending inspection														

[Other additional specifications]  
•Option  
Pulsation Dampner SUS316

\* Specify "X" if there is no applicable specification.

\* Consult us for the need of Strength Calculation Sheet.