

KH63

Differential Pressure Transmitter

Overview

This differential pressure transmitter senses micro differential pressure of air and other gases, converting it into electric signals and transmits it.

Features

- The differential pressure transmitter has a structure composed of force magnifying mechanism with the semiconductor strain gauge, allowing to measure with high accuracy.
- Continuous pressure measurement from negative to positive pressure is possible.
- Output signal based on industrial unified signal (4 to 20mA DC) is transmitted through the 2 wire electric current transmission method.
- Pressure sensing parts material in contact with gas including diaphragm and body are all stainless steel.



Specifications

Media:

Gas (Non corrosion gas only for low pressure side)

Installation environment:

Install in location where no gases or liquids may exist that have the potential to become flammable or ignitable under normal operating condition

Type:

Wall mounting or 2B pipe mounting

Connection:

Rc 1/4

Wetted parts:

| | |
|---------------------------|--------|
| Diaphragm | SUS316 |
| Body (High pressure side) | SUS316 |
| Case (Low pressure side) | AC7A |
| O-ring | NBR |

Differential pressure range:

0 to 0.05 → 0 to 2kPa
-0.05 to +0.05 → -1 to +1kPa

Proof pressure against single port:

300% of differential pressure range

Operating pressure range:

-10 to +10kPa

Operating temperature range:

-10 to 60°C (Non freezing or condensing)

Power source:

24V DC ±10%

Output:

4 to 20mA DC

Load resistance:

500Ω max.

Transmission system:

2 wire system

Accuracy:

±1% F.S., ±2% F.S.
(Depends on differential pressure range)

Temperature coefficient:

| | |
|--------|---|
| (Zero) | } ±0.05% F.S./°C (0 to 0.2, ±0.2kPa range or higher) |
| (Span) | |
| | ±0.1% F.S./°C (0 to 0.1, ±0.1kPa range) |
| | ±0.2% F.S./°C (0 to 0.05, ±0.05kPa range) |

Outlet for electric wire:

Gland JIS 20b

Protection:

Indoor use

Weight:

Approx. 3.4kg

KH63

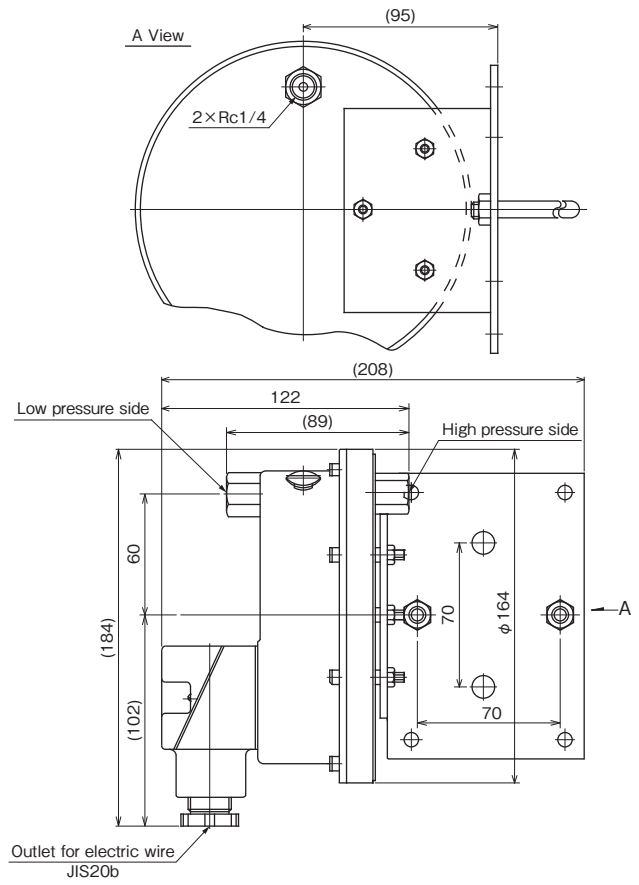
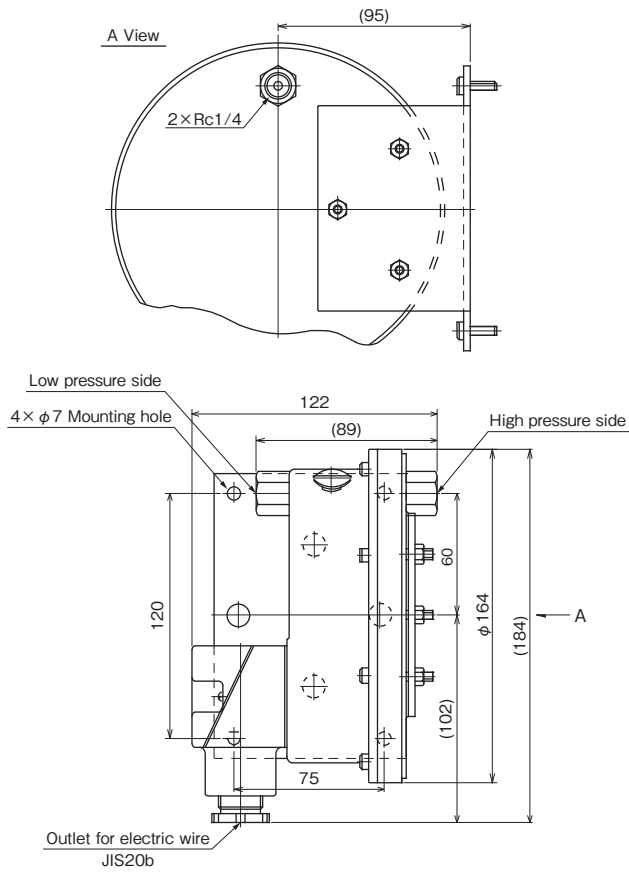
Differential Pressure Transmitter

Dimensions

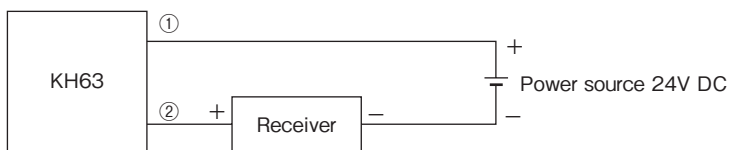
Unit: mm

Wall mounting

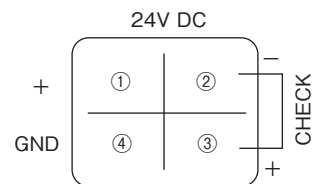
2B pipe mounting



Wiring



Terminal marking



KH63

Differential Pressure Transmitter

Model number configuration

Please specify the model, each requiring specification and differential pressure range to order.

Model

K H 6 3 — **7 1** — **1 1 7** × × × × ×

Differential Pressure Transmitter ① ② ③ ④ ⑤ ⑥ ⑦ ⑧ ⑨ ⑩ ⑪ ⑫ ⑬ ⑭ ⑮

| Model number | | Product specifications | | Additional specifications (Optional) | |
|-------------------------------|--------|---|--|--------------------------------------|--|
| ① Type | 2 3 | Wall mounting 2B pipe mounting | | | |
| ② Connection | 7 | Rc 1/4 | | | |
| ③ Wetted parts | 1 | Diaphragm: SUS316 Body (High pressure side): SUS316 Case (Low pressure side): AC7A O-ring: NBR | | | |
| ④ Differential pressure range | 1 | -0.05 to 0.05, -0.1 to 0.1, -0.2 to 0.2kPa | | ±2.0%F.S. | |
| | 2 | -0.5 to 0.5, -1 to 1kPa | | ±2.0%F.S. | |
| | 3 | 0 to 0.05, 0.1, 0.2, 0.5, 1, 2kPa | | ±1.0%F.S. | |
| ⑤ Accuracy | 7 | ±1.0%F.S. (Depends on differential pressure range) | | | |
| | 9 | ±2.0%F.S. (Depends on differential pressure range) | | | |
| ⑥ Power source | 1 | 24V DC±10% | | | |
| ⑦ Output | 1 | 4 to 20mA DC 2 wire system | | | |
| ⑧ Outlet for electric wire | 7 | Gland JIS 20b | | | |
| ⑨ Treatment | 0 | Not required | | | |
| | 1 | Use no oil | | | |
| | 2 | Use no water | | | |
| ⑮ Documents | 3 | Use no oil & water | | | |
| | 0 | Not required | | | |
| ⑮ Documents | 1 | Required (Documents available upon request) Datasheet (Drawing / Specifications) Instruction manual Inspection procedure Mill test report Calibration test report (One-part one sheet) Inspection / Traceability certificate Calibration test report for pressure standard Strength calculation sheet Attending inspection | | | |

Please specify differential pressure range and unit of measure along with corresponding ordering code.

Treatment of wetted parts

- Use no oil
Manufacture/process wetted parts not to retain oils.
- Use no water
Manufacture/process wetted parts not to retain water.
- Use no oil & water
Manufacture/process wetted parts not to retain oils and water.

* Specify code "X" to refer N/A