

## Flange Type

# KH25 Pressure Transmitter

Fluids and gases measurement  
(Featuring stainless diaphragm)

### Overview

This small and lightweight economical pressure transmitter has an advantage in open tank level measurement. Use of this transmitter is effective when measuring fluids containing viscosity or heavy particulates. It can replace existing liquid-filled flange-type pressure transmitters.

### Features

- Compared to the enclosed pressure transmitter type, this pressure transmitter is low cost, compact and lightweight
- No effect on accuracy due to temperature change in filled liquid
- Selectable from JIS10K50A, 65A and 80A for the flange connection with compact design
- Level measurement is possible between heights of 0.5m and 3m



### Specifications

#### Media:

Gases and Fluids

\* This pressure transmitter does not conform with sanitary specification. Please avoid the food-related usage.

#### Installation Environment:

Install in location where no gases or liquids may exist that have the potential to become flammable or ignitable under normal operating conditions.

#### Mounting:

Flange type

#### Flange connection:

JIS10K 50A RF, JIS10K 65A RF, JIS10K 80A RF  
JIS10K 50A FF, JIS10K 65A FF, JIS10K 80A FF

#### Wetted parts:

Diaphragm	SUS316
Flange	SUS316
Gasket	Teflon

#### Pressure range:

0 to 5 → 0 to 30kPa

#### Allowable maximum pressure:

150% of pressure range

#### Operating temperature:

-20 to 60°C (Non-freezing or condensing)

#### Power source:

24V DC ± 10%

#### Output:

4 to 20mA DC (2 wire)  
1 to 5V DC (3 wire)

#### Load resistance:

500Ω max. (For current output)  
10kΩ min. (For voltage output)

#### Transmission:

2 wire or 3 wire

#### Accuracy:

± 1.0% F.S.

#### Temperature coefficient:

± 0.05% F.S./°C or lower (Zero)  
± 0.05% F.S./°C or lower (Span)

#### Outlet for electric wire:

Gland JIS 15b

#### Case material, finish:

AC7A · Gray crystal paint

#### Enclosure:

Indoor use

\* When installing pressure transmitter outside, ensure to use rain-proof case, etc.

#### Weight:

Approx. 3.2kg (JIS10K 50A)

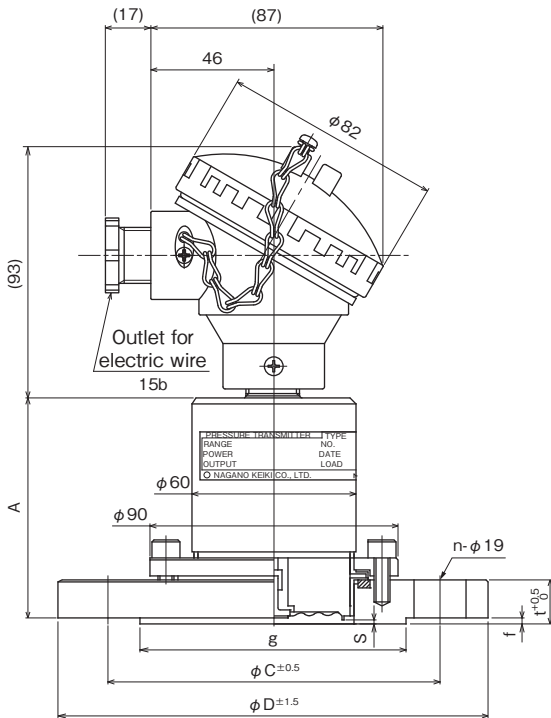
# KH25

## Pressure Transmitter (Flange Type)

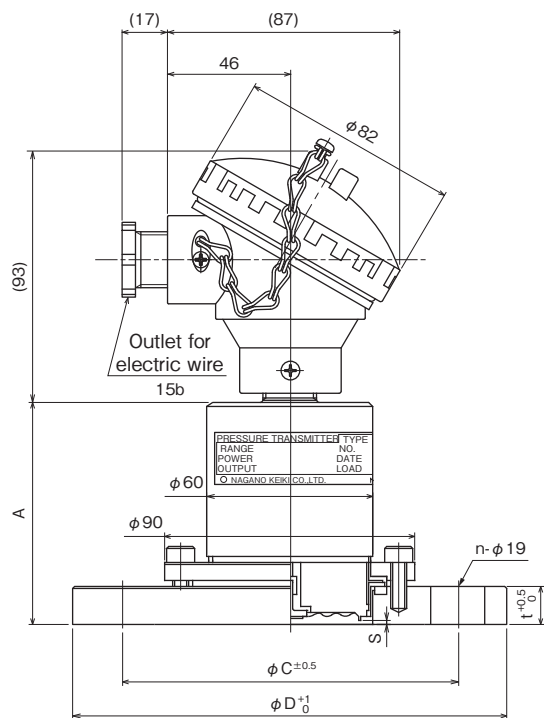
Unit: mm

### Dimensions

(RF Flange type)



(FF Flange type)



Model number	Flange connection	A	D	t	f	g	C	n	s
KH25-A01	50A RF	(84)	155	16	2	96	120	4	(1.5)
KH25-A02	65A RF	(86)	175	18	2	116	140	4	(3.5)
KH25-A03	80A RF	(86)	185	18	2	126	150	8	(3.5)

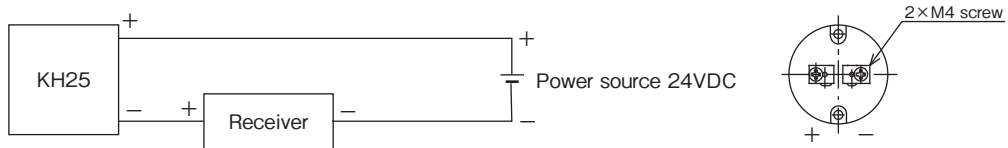
Model number	Flange connection	A	D	t	C	n	s
KH25-A11	50A FF	(84)	155	16	120	4	(1.5)
KH25-A12	65A FF	(86)	175	18	140	4	(3.5)
KH25-A13	80A FF	(86)	185	18	150	8	(3.5)

KH25-A0□

KH25-A1□

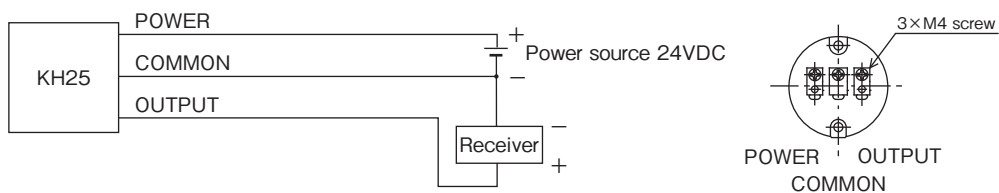
### Wiring

2 wire



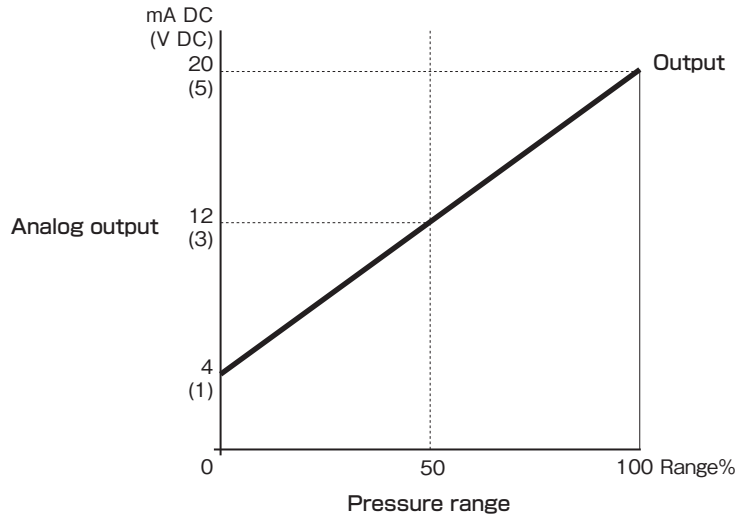
When outputting voltage, the voltage is 1 to 5V (Output) for voltage conversion resistor 250Ω.

3 wire



### Output characteristic

When 4 to 20mA DC (1 to 5V DC)



Output is linear to 4 to 20mA DC (1 to 5V DC) against rated pressure range.

### Model number configuration

Please specify the model number, each specs and the range for ordering.

Model	K H 2 5	—	A	—	1	7	1	4	×	×	×	×	×	×		
	①		②	③	④	⑤	⑥	⑦	⑧	⑨	⑩	⑪	⑫	⑬	⑭	⑮
	Pressure Transmitter (Flange Type)															
Model number				Product specifications					Additional specifications (Optional)							
① Type	A			Flange type												
②③ Flange connection	01	JIS10K 50A RF														
	02	JIS10K 65A RF														
	03	JIS10K 80A RF														
	11	JIS10K 50A FF														
	12	JIS10K 65A FF														
	13	JIS10K 80A FF														
④ Pressure range (kPa)	1	0 to 5, 10, 15, 20, 25, 30														
⑤ Accuracy	7	±1.0%F.S.														
⑥ Supply voltage	1	24V DC±10%														
⑦ Output	1	4 to 20mA DC 2 wire														
	8	1 to 5V DC 3 wire														
⑧ Outlet for electric wire	4	Terminal box type JIS 15b														
⑨ Treatment	0	Not required														
	1	Use no oil														
	2	Use no water														
	3	Use no oil & water														
⑮ Documents	0	Not required														
	1	Required (Documents available upon request) Datasheet (Drawing / Specifications) Instruction manual Inspection procedure Mill test report Calibration test report (One-part one sheet) Inspection / Traceability certificate Calibration test report for pressure standard Strength calculation sheet Attending inspection														

Please specify pressure range and unit of measure along with corresponding ordering code.

**Treatment against wetted parts**

- **Use no oil**  
Oil used in manufacturing the gauges had been flushed out & no oil residue remained inside its wetted parts.
- **Use no water**  
Water used in manufacturing the gauges had been flushed out & no water residue remained inside its wetted parts.
- **Use no oil & water**  
Oil/Water used in manufacturing the gauges had been flushed out & no oil/water residue remained inside its wetted parts.

\* Specify code "X" to refer N/A