

# JB50

## Pressure Gauge with Reed Switch Contact

Setting pointer



### Outline

This compact pressure gauge for the semiconductor industry has a reed switch contact can be used for alarm and process control.

### Features

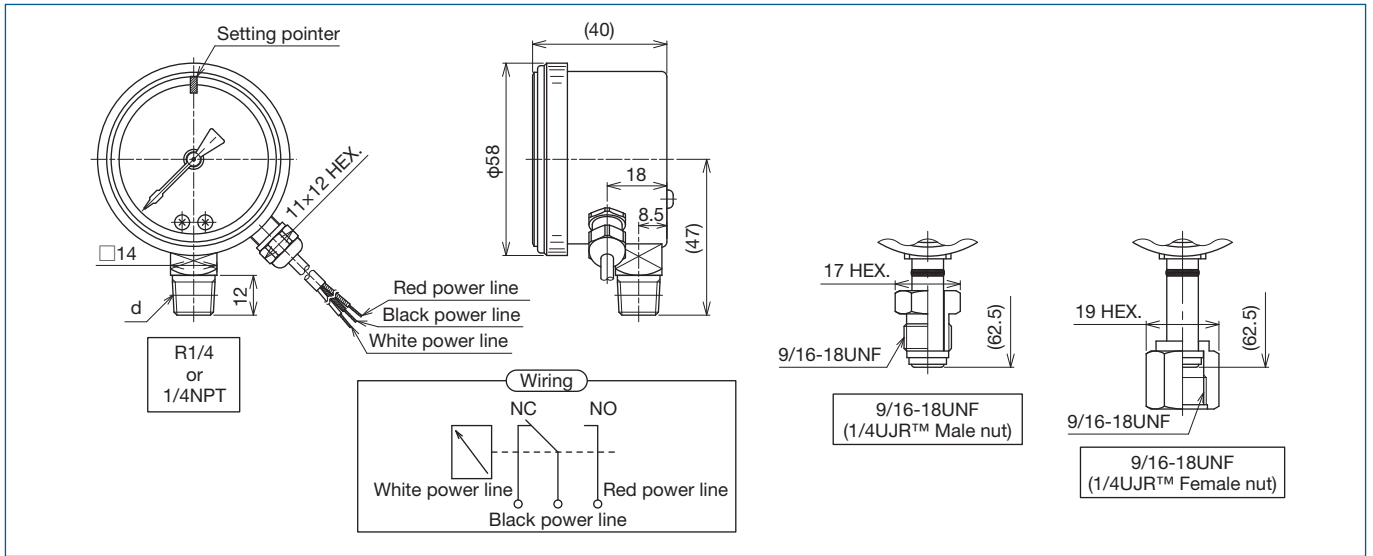
- Compact and lightweight design for installation in small space.
- The setting is available by moving the setting pointer from the front of the instrument.
- The reed switch which is not affected by the external atmosphere, so it has excellent reliability.
- Manufactured in a clean room with high cleanliness and airtightness.

### Specifications

Item	Specifications	
Switch	Reed switch	
Size	φ50	
Shape	Stem type	
Connection	9/16-18UNF (1/4UJR™ Male nut) 9/16-18UNF (1/4UJR™ Female nut) R1/4, 1/4NPT	
Wetted parts material	SUS316L	
Case material	Case: SUS304 Glass: Polycarbonate	
Pressure range (MPa)	-0.1 to 0.4, 0.6, 1, 1.6, 2.5 0 to 0.4, 0.6, 1, 1.6, 2.5, 4, 6, 10, 16, 25	
Accuracy	1.6 Grade*	
Setting accuracy	±5%F.S.	
Dead band	5%F.S. or less	
Pressure settable range	5 to 80%F.S.	
Operating temperature	-20 to 60°C	
Temperature coefficient	0.05%F.S./°C or less	
Electrical rating	Maximum power rating	10W (This value must not be exceeded within the following voltage and current.)
	Maximum voltage	30V AC/DC
	Maximum current	0.5A
Cable	Outer diameter	φ3.8mm
	Length	1m (Standard)
Case construction	Indoor use	
RoHS directive	Conforms to the RoHS directive	

\* According to JIS B 7505-1.

# Dimensions



## Model number configuration

Please specify the model number, each specs and the range for ordering.

Model																	
<b>J B 5 0</b>			<b>1</b>		<b>4</b>		<b>0</b>		×		×		×		<b>W</b>		
Pressure Gauge with Reed Switch Contact			①	②	③	④	⑤	⑥	⑦	⑧	⑨	⑩	⑪	⑫	⑬	⑭	⑮
Model name				Selective spec.				Additional spec. (Option)									
JB50				Standard specifications													
				Case material: SUS304 Electrolytic polishing Cable length: 1m*1 RoHS													
①Shape			1	φ50 General type (Stem type)													
②Connection			7	R1/4													
			E	9/16-18UNF(1/4UJR™ Male nut)													
			G	9/16-18UNF(1/4UJR™ Female nut)													
			K	1/4NPT													
			Others														
③Wetted parts material			4	SUS316L													
④Pressure range (MPa)			1	-0.1 to 0.4, 0.6, 1, 1.6, 2.5 Compound													
			2	0 to 0.4, 0.6, 1, 1.6, 2.5, 4, 6, 10, 16, 25													
⑤Contact*2			A	H: Upper limit 1-contact													
			B	L: Lower limit 1-contact													
⑥Switch			0	Standard (Reed switch)													
⑭Grade (Specification code)			W	A Grade*3 (Cleaning level: Class IV to ANSIB40, 1M-1979)													
⑮Documents			0	Nil													
			1	Required													

\*1: Cable length can be up to 3m. (in 1m increments)

\*2: Settable to either H or L.

\*3: Clean polyethylene sealed packaging after ultrasonic cleaning and N2 gas flushing when shipping

If you are considering using these products overseas, please check the local standards and regulations.

The contents in the catalog are subject to change without notice.

**NAGANO KEIKI**

**NAGANO KEIKI CO., LTD.**

URL : <https://www.naganokeiki.co.jp/>

**HEAD OFFICE & OVERSEAS SALES DEPT**

1-30-4, HIGASIMAGOME OHTA-KU, TOKYO, JAPAN.

PHONE : +81-3-3776-5328 FAX : +81-3-3776-5447

E-mail : [overseas\\_sales\\_dept@naganokeiki.co.jp](mailto:overseas_sales_dept@naganokeiki.co.jp)