

GE__ Edgewise Type Pressure Gauges

Overview

This is a micro pressure gauge to be installed on the control panel and to measure draft magnitude in a furnace or flue of a steam boiler in ship and thermal power plant, being capable of improving boiler operation resulting in fuel saving.

Features

- GE4□ (Vertical/Horizontal)
Compact low pressure gauge without taking much space for installation
Parallel installation possible
- GE2□ (Center/Upper)
Selectable panel or upper-face mounting depending on operator's monitoring direction
Maximum 8 parallel installations

*To maximize performance, select full scale pressure range to indicate normal operating pressure which comes to conditions below.

For constant pressure : The maximum operating pressure should not exceed three-quarters of the full-scale range.

For fluctuating pressure: The maximum operating pressure should not exceed two-thirds of the full-scale range.

Select appropriate wetted parts compatible with process fluid (gas and liquid) which the gauge will be subjected.



Specifications 1

Media:

Gases

Type [Mounting]:

GE45

[Vertical]



GE46

[Horizontal]



GE25

[Center]



GE26

[Upper]



Number of connecting unit:

1 unit (Single unit attachment)

※Serially connectable up to 8 units possible

Connection:

G3/8B

Wetted parts:

General type

GE4□ Element SUS316L, C2801P, C5191R,
C2700T, C2680R, C5191P
(Varies depending on ranges)

Socket C3604BD

GE2□ Element C5191P, C5212R
(Varies depending on ranges)

Socket CAC203

Corrosion resistant type

Element SUS316 or SUS316L
(Varies depending on ranges)

Socket SUS316

Pressure range:

0 to 0.2→0 to 50kPa

-10 to 0→-0.4 to 5kPa

※20 to 100kPa (Receiver) can be made

Operating temperature range:

-5 to 45°C

Accuracy:

±2%F.S. or ±3%F.S.

(Varies depending on ranges)

Case material · finish:

GE4□ SPCC · Black

GE2□ AC3A · Black

Accessories: (Option)

Three way cock (Brass, SUS made)

With panel ring (GE4□ only)

Weight:

GE45 Approx. 2.6kg

GE46 Approx. 2.5kg

GE25 Approx. 4kg

GE26 Approx. 4kg

* Consult us for switch action type and lamp.

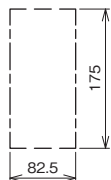
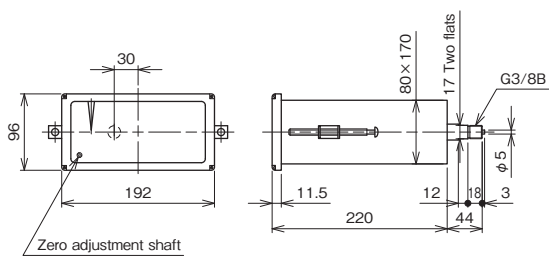
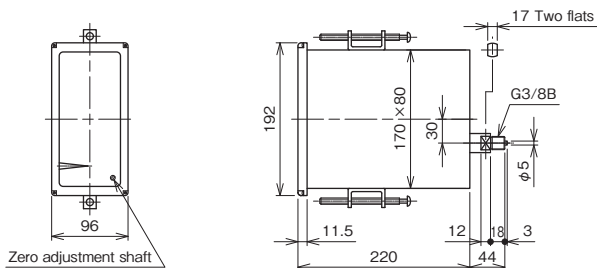
Specifications 2

Minimum scale • Minimum scale • Element material:

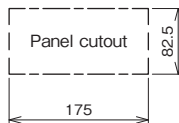
Pressure range kPa	Minimum scale kPa	Accuracy ±% F.S.	General type Element material		Corrosion resistant type Element material	
			GE45 · 46	GE25 · 26	GE45 · 46	GE25 · 26
0 to 0.2	0.01	3	Chamber C5191P	Chamber C5191P	—	—
to 0.3	0.01					
to 0.4	0.02					
to 0.5	0.02					
to 0.7	0.02					
to 0.8	0.02					
to 1	0.05	2	Chamber C2680R	Chamber C5191P	Chamber SUS316L	Chamber SUS316
to 2	0.1					
to 3	0.1					
to 4	0.2					
to 5	0.2					
to 7	0.2					
to 10	0.5					
to 20	1					
to 30	1					
to 50	2					
-1 to 0	0.05	3	Chamber C2680R	Chamber C5191P	Chamber SUS316L	Chamber SUS316
-2 to 0	0.1					
-3 to 0	0.1					
-4 to 0	0.2					
-5 to 0	0.2					
-7 to 0	0.2					
-10 to 0	0.5	2	Chamber SUS316L	Bellows C5212R	Bourdon tube SUS316	Bellows SUS316L
-0.1 to 0.1	0.01					
-0.15 to 0.15	0.01					
-0.2 to 0.3	0.02	3	Chamber C5191R	Chamber C5191P	—	—
-0.3 to 0.4	0.02					
-0.4 to 0.6	0.05					
-0.6 to 0.4	0.05					
-0.1 to 1	0.05	2	Chamber C2680R	Chamber C5191P	Chamber SUS316L	Chamber SUS316
-0.2 to 3	0.1					
-0.4 to 5	0.2					
-1 to 0.1	0.05					
-1 to 1	0.1					
-1 to 3	0.2					
-2 to 1	0.1					
-2 to 3	0.2					
-3 to 0.2	0.1					
-3 to 1	0.2					
-5 to 0.4	0.2					
						Chamber C2801P
			Chamber C2801P			
			Chamber C2680R			
			Chamber C5191P			
			Chamber C5191R			
			Chamber C2680R			
			Chamber C2801P			
			Chamber C2801P			
			Chamber C2801P			
			Chamber C2801P			
			Chamber C2801P			
			Chamber C2801P			

Dimensions

Unit: mm

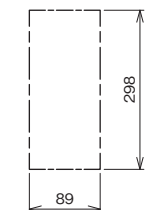
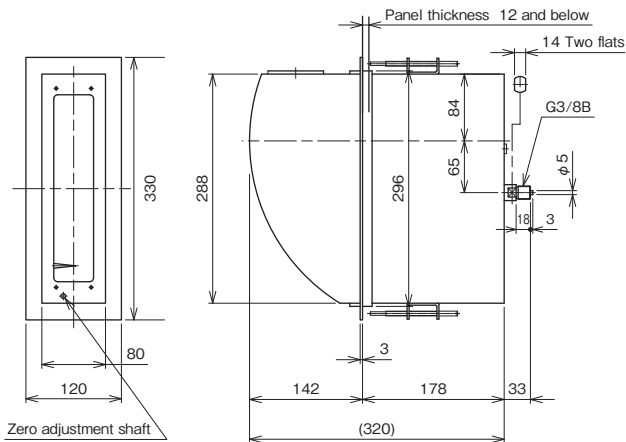
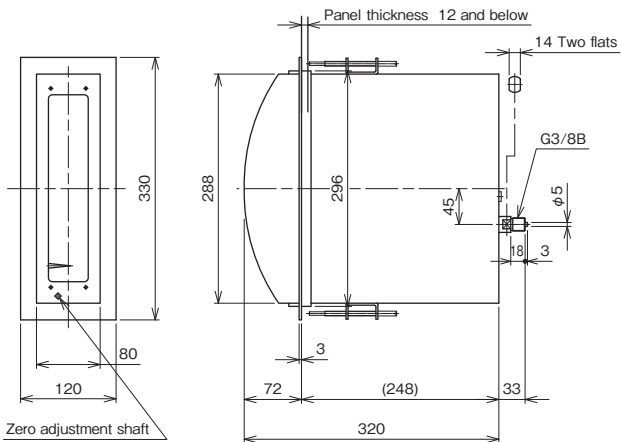


GE45-13

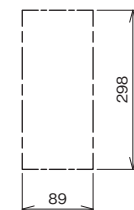


GE46-13

Panel cutout



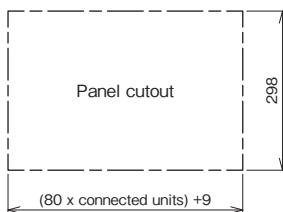
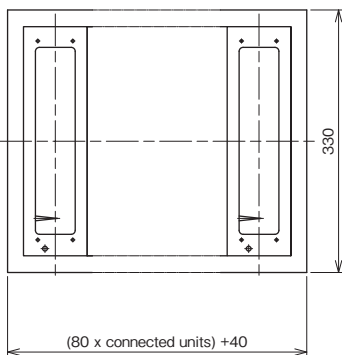
GE25-13



GE26-13

Panel cutout

Panel cutout



When GE25-13 and GE26-13 are connected

