

GC04 Battery-Powered Digital Pressure Gauge

Fluids and gases measurement
(Featuring stainless diaphragm)

Overview

Small digital pressure gauge, incorporating high reliable proven Chemical Vapor-Deposited Semiconductor Strain Gauge (SS sensor), is available for variety of applications for various fluids and gases measurements. This can be used for master gauge for testing mechanical pressure gauge with its $\pm 0.25\%$ F.S. accuracy. JCSS calibration certificate is available.

Features

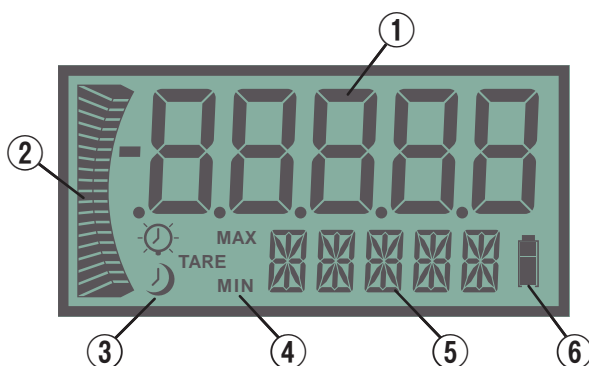
- Accuracy $\pm 0.25\%$ F.S.
- Two AA alkaline batteries
- High enclosure rating (IP67)
- Selectable pressure unit of measure
- Back lite for use in darkness
- 5 digits LCD display (Character height 12mm)



* Black and orange protective boots are optionally available



LCD



- ① 5 digits pressure value indication
- ② 20 segment bar graph display with 5% graduation
- ③ Sleep and backlight timer
- ④ Max. and Min. pressure value display, tare (Tare) icon
- ⑤ Unit (Alphanumeric character)
- ⑥ Battery life indicator (4 segment)

Pressure range and display digit

	Pressure range	Display digit		Proof pressure (against rated pressure range)
		Min. display value	Max. display value	
Compound	-0.1 to 0.2MPa	-.1000	.2000	200%
	-0.1 to 0.3MPa	-.1000	.3000	
	-0.1 to 0.5MPa	-.1000	.5000	
	-0.1 to 1MPa	-.1000	1.0000	
Positive	-0.1 to 2MPa	-.1000	2.0000	200%
	0 to 0.3MPa	.0000	.3000	
	0 to 0.5MPa	.0000	.5000	
	0 to 1MPa	.0000	1.0000	
	0 to 2MPa	.0000	2.0000	
	0 to 3.5MPa	.000	3.500	
	0 to 5MPa	.000	5.000	
	0 to 10MPa	.000	10.000	
	0 to 20MPa	.000	20.000	150%
0 to 35MPa	.00	35.00		
	0 to 50MPa	.00	50.00	

GC04

Battery-Powered Digital Pressure Gauge

Specifications

Item	Description
Media	Fluids and gases (Compatible with wetted parts)
Connection	R1/4
Accuracy	$\pm(0.25\%F.S.+1 \text{ digit})$ Accuracy includes the effects of Linearity, hysteresis, and repeatability *After zero adjustment
Temperature coefficient	$\pm 0.072\%F.S./^{\circ}C$ (Zero, span)
Operating temperature	-20 to 60°C (Non-freezing or condensing)
Storage temperature	-20 to 80°C (Non-freezing or condensing, batteries removed)
Units	MPa, kPa, bar, and customer defined unit**1
Power source	Two AA alkaline batteries**2
Battery life	2000 hours (depending on operating condition)
Display update rate	1sec (factory default), 0.5sec, 0.25sec
Ingress protection	IP67
Weight	Approx. 150g (Batteries removed)
Protective boot	2 colors (Black or Orange) *Option
Wetted parts	Sensor: SUS630 (17-4PH) Fitting: SUS316L
Case materials	Case and Back: PC/ABS Window: PC
Vibration resistance	MIL-STD-202G, test method 201A
Shock resistance	MIL-STD-202G, test method 213B, test condition K
Other functions	Indication scaling**3, Tare, Hold function (Max. / Min. pressure values) Default setting (Factory default), Auto OFF, Lock re-zeroing, Back light

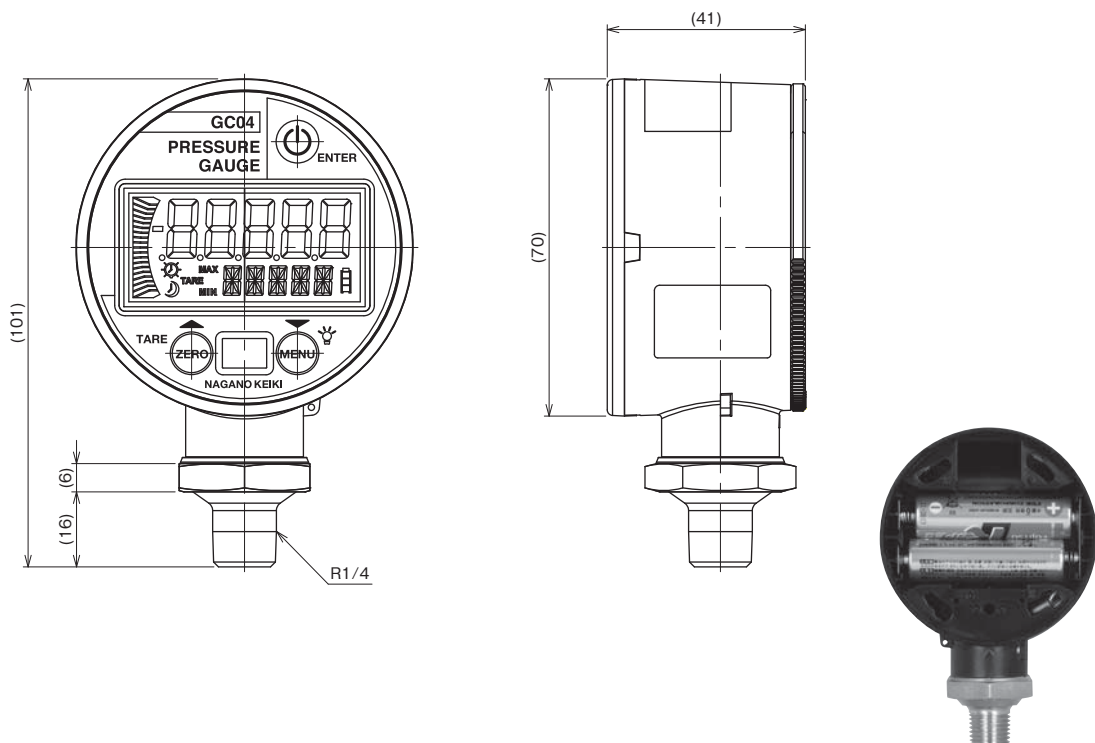
**1 psi, kgf/cm² and other engineering unit of measure not specified as SI unit is only available with shipment outside of Japan, or other applications specified by Measurement Law.

**2 Batteries are not included.

**3 Indication scaling feature is not available with compound pressure ranges.

Dimensions

Unit: mm



**Operates with two AA alkaline batteries

GC04

Battery-Powered Digital Pressure Gauge

Model number configuration

Please specify the model number, each specs and the range for ordering.

Model

GC04 — **174** — **4BXX3XXXXX**

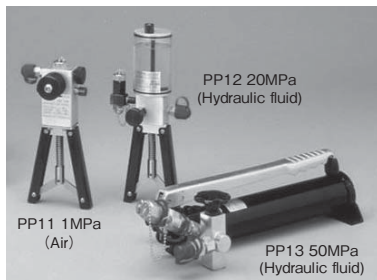
Battery-Powered Digital Pressure Gauge ① ② ③ ④ ⑤ ⑥ ⑦ ⑧ ⑨ ⑩ ⑪ ⑫ ⑬ ⑭ ⑮

Model number		Product specifications			Additional specifications (Optional)		
① Size and design of case	1	70 DIA. Stem					
② Connection	7	R1/4					
③ Wetted parts	4	Sensor: SUS630 (17-4PH) Fitting: SUS316L					
④ Pressure range (MPa)	2	Range		Maximum display value			
	3	-0.1 to 0.2		.2000			
	5	-0.1 to 0.3		.3000			
	6	-0.1 to 0.5		.5000			
	7	-0.1 to 1		1.0000			
	C	-0.1 to 2		2.0000			
	E	0 to 0.3		.3000			
	G	0 to 0.5		.5000			
	J	0 to 1		1.0000			
	K	0 to 2		2.0000			
	L	0 to 3.5		3.5000			
	N	0 to 5		5.0000			
	Q	0 to 10		10.0000			
R	0 to 20		20.0000				
S	0 to 35		35.0000				
S	0 to 50		50.0000				
⑤ Accuracy	4	± (0.25%F.S.+1 digit)					
⑥ Power source	B	Two AA alkaline batteries ※Batteries are not included. Ensure to install when in use.					
⑨ Treatment	3	Use no oil & water ※This product comes standard with "Use no oil and water." There is a label affixed on body to identify the product is Use No Oil that oil/water used in manufacturing the gauges had been flushed out & no oil/water residue remained inside its wetted parts.					
⑮ Documents	0	Not required					
	1	Required (Documents available upon request) Datasheet (Drawing / Specifications) Instruction manual Inspection procedure Calibration test report (One-part one sheet) Inspection / Traceability certificate Strength calculation sheet Attending inspection					
Options	1	Protective boot Black (GC04-901)					
	2	Protective boot Orange (GC04-902)					

Please specify pressure range and unit of measure along with corresponding ordering code.

Accessories (Specify if required)

- Hand operated pressure pump



※ Consult us for nonstandard specifications.

* Specify code "X" to refer N/A

Accuracy of this product is assured by JCSS Calibration Certificate for high reliable assurance.



JCSS Nagano Keiki Group Company is signed company for MRA in accordance with Pressure Measurement Low.

※ JCSS calibration certificate with JCSS accreditation symbol assures the result of calibration is officially traceable to national pressure standard. JCSS calibration certificate assures that there is no need to trace further up to international/national pressure standard.