

DG70

Differential Pressure Gauge

Overview

DG70 is suitable for applications measuring very low differential pressure detecting air filter pressure drop in air conditioning. Compactly designed pressure gauge works for fine pressure, flow and differential pressure measurements.

Features

- Compact and lightweight for limited space installation
- DG70 comes standard with setting pointer (Single red).
- External zero adjustable
- For wall mounting type, high and low pressure measuring functions can be alternately switched by exchanging each side of fitting.



RoHS

Specifications

Media:

Air and non-corrosive gas

Design and construction:

Sealed Case Type

Mounting:

Panel mounting, wall mounting

*Installation in outer case optionally available upon request.

Position Orientations:

Upward-facing horizontal, 45° Upward, Vertical, 45° Downward, Downward-facing horizontal

*Vertical mounting is available only for 0 to 100Pa, 0 to 200Pa and 100 to 0 to 100Pa pressure ranges.

Size:

φ70

Connection:

φ6 Brass pipe fitting, φ7 (Rotary) Barb fitting

Wetted materials:

Diaphragm Silicon rubber or NBR (300 to 0 to 300, 500 to 0 to 500Pa)
Case Polycarbonate resin
Others Aluminum alloy, phosphor bronze, brass, and NBR

Standard differential pressure range:

0 to 100, 200, 300, 500Pa
0 to 1, 2, 3, 5kPa
100 to 0 to 100, 200 to 0 to 200, 300 to 0 to 300,
500 to 0 to 500Pa

Proof pressure for sensing element* (Proof pressure for the single port):

20kPa

*Same proof pressure applied for negative pressure measurements (Vacuumed at L pressure side)

Proof pressure for enclosure (applying pressure at two ports):

50kPa

Operating temperature:

-10 to 50°C (0 to 50°C: NBR for diaphragm)
(Non-freezing)

Accuracy:

±2.5%F.S. at 20°C

JIS B7505-1 specifies that lower and upper 10% of the scale and 5% around "centered zero" has 1.5 times greater accuracy than specified accuracy.

Scale angle:

90°

Case finish:

Black

Weight:

Approx. 200g

Accessories:(Option)

Pressure gauge restrictor... It will be placed in the middle of process between higher and lower pressure when pressure gauge is subjected to rapid pressure fluctuations.
Model number: FS80-00□

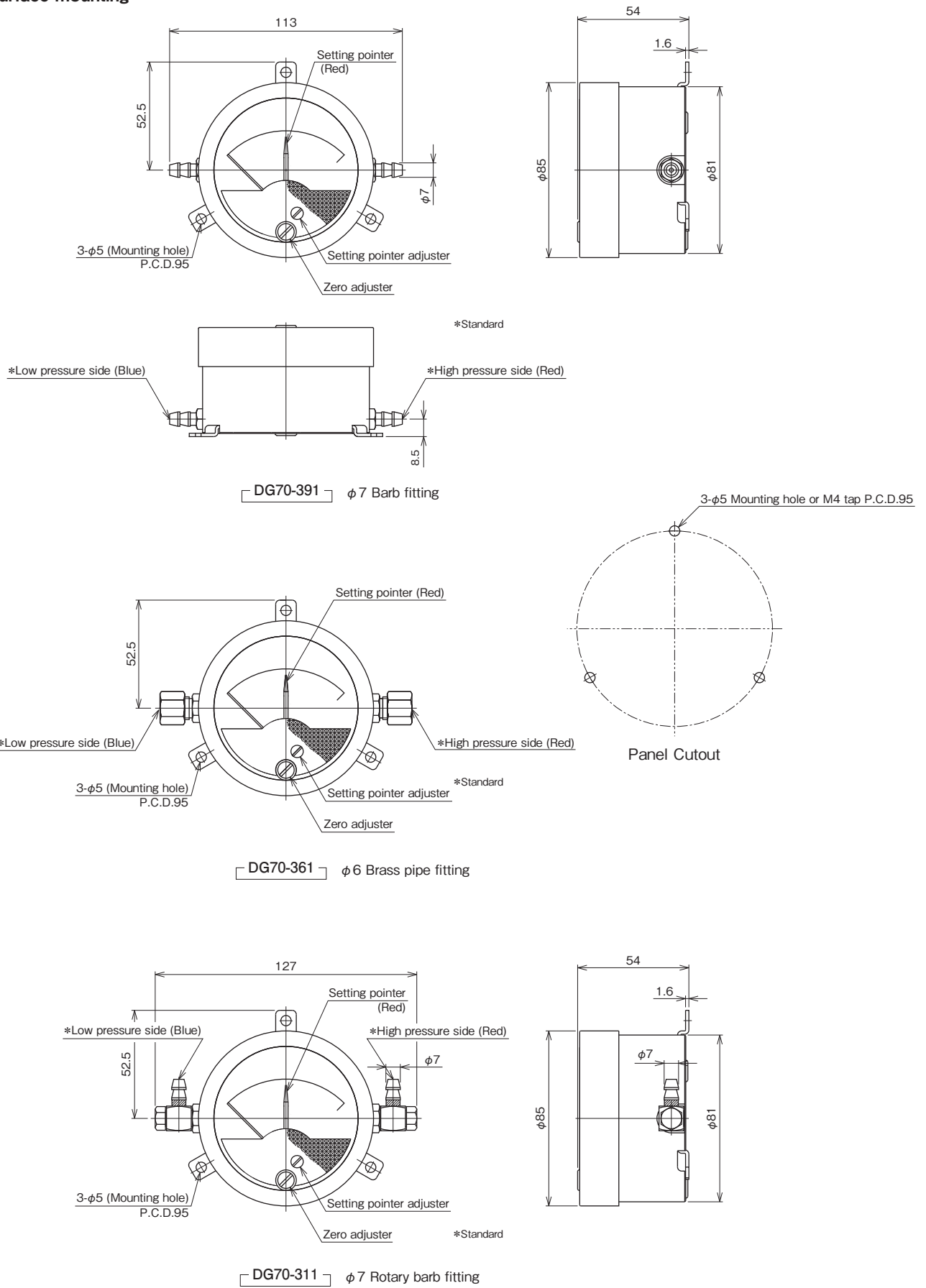
DG70

Differential Pressure Gauge

Dimensions 1

Unit: mm

Surface mounting



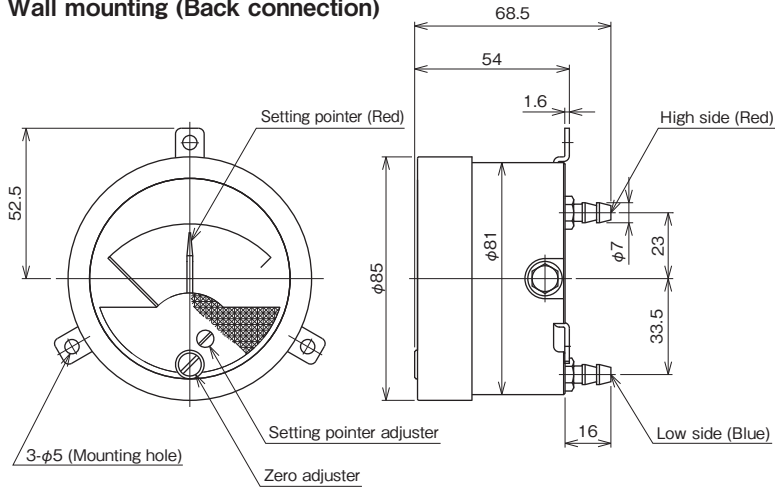
DG70

Differential Pressure Gauge

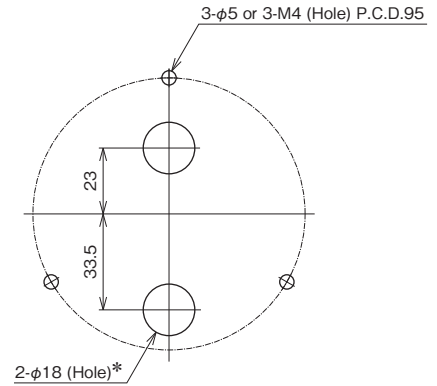
Dimensions 2

Unit: mm

Wall mounting (Back connection)

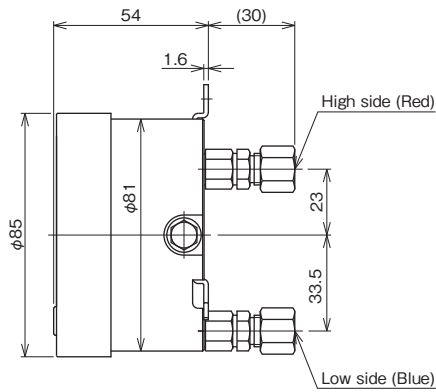


DG70-491 ϕ 7 Barbed fitting

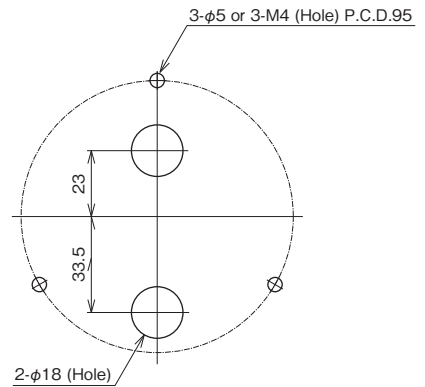


Panel Cutout

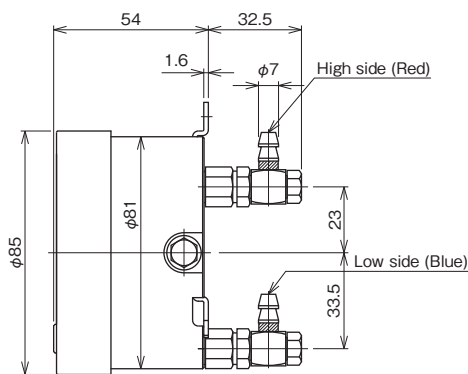
*Back surface of pressure gauge can be seen throughout the hole after the installation.
The gap can be eliminated with ϕ 13 hole size.



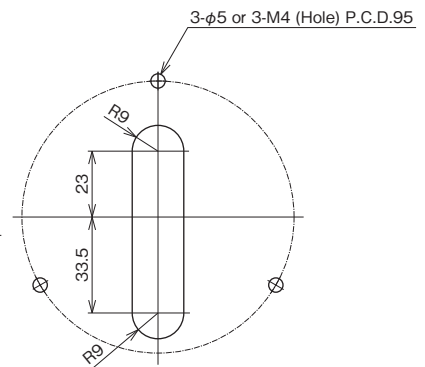
DG70-461 ϕ 6 Brass pipe fitting



Panel Cutout



DG70-411 ϕ 7 rotary barb fitting



Panel Cutout

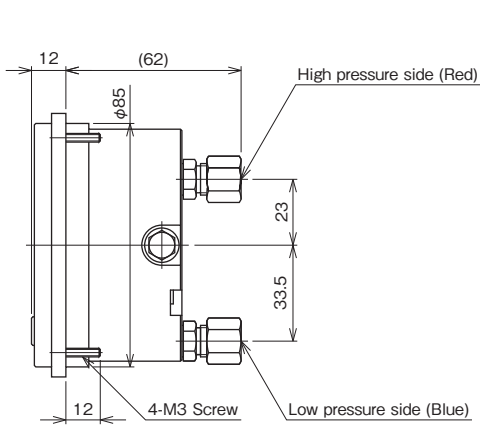
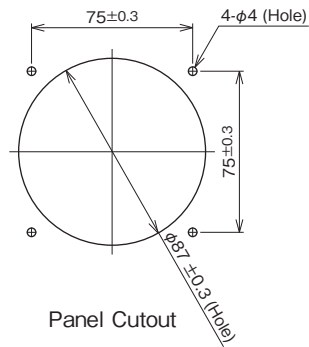
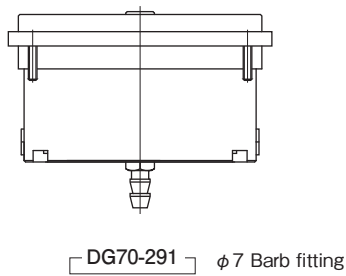
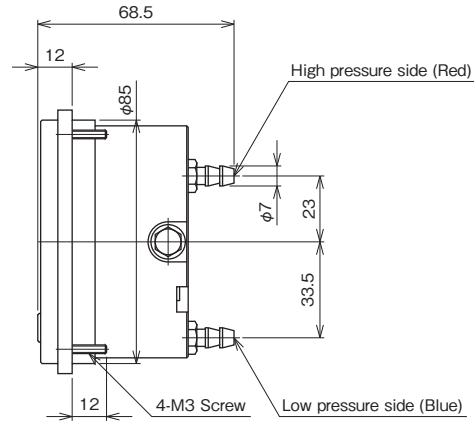
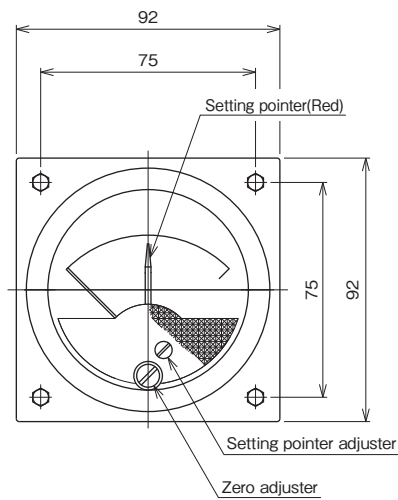
DG70

Differential Pressure Gauge

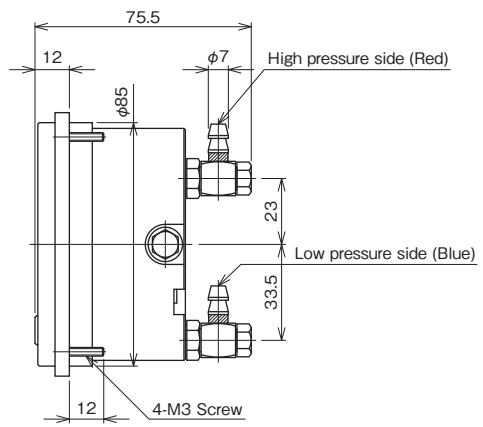
Dimensions 3

Unit: mm

Panel mounting



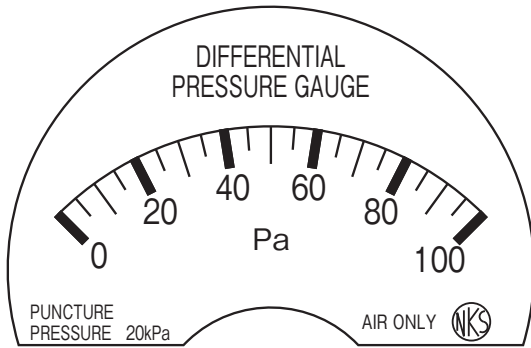
DG70-261 $\phi 6$ Brass pipe fitting



DG70-211 $\phi 7$ Rotary barb fitting

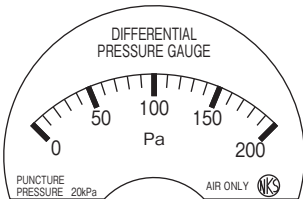
Dial Faces

Positive Pressure Range

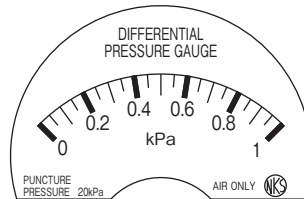


Actual size

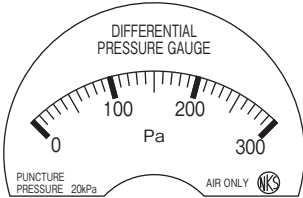
Differential pressure range	Minor graduation
0 to 100Pa	5Pa



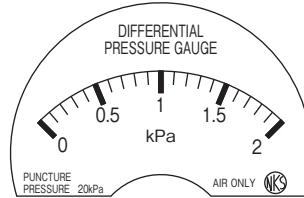
Differential pressure range	Minor graduation
0 to 200Pa	10Pa



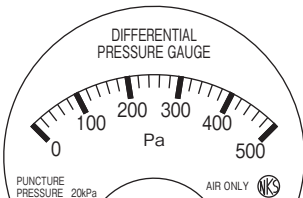
Differential pressure range	Minor graduation
0 to 1kPa	0.05kPa



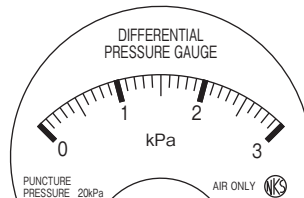
Differential pressure range	Minor graduation
0 to 300Pa	10Pa



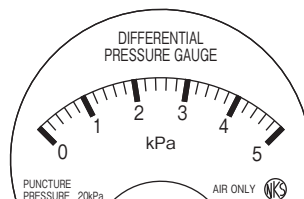
Differential pressure range	Minor graduation
0 to 2kPa	0.1kPa



Differential pressure range	Minor graduation
0 to 500Pa	20Pa

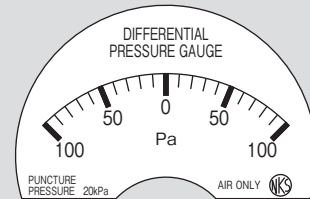


Differential pressure range	Minor graduation
0 to 3kPa	0.1kPa

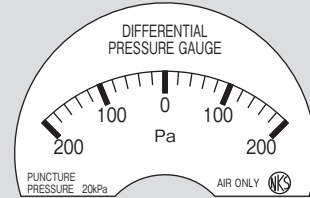


Differential pressure range	Minor graduation
0 to 5kPa	0.2kPa

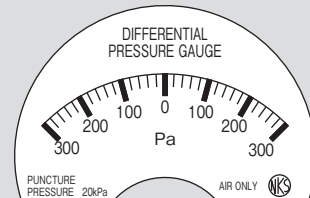
Zero Centered Dial



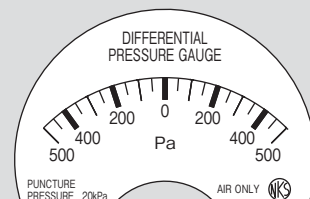
Differential pressure range	Minor graduation
100 to 0 to 100Pa	10Pa



Differential pressure range	Minor graduation
200 to 0 to 200Pa	20Pa



Differential pressure range	Minor graduation
300 to 0 to 300Pa	20Pa



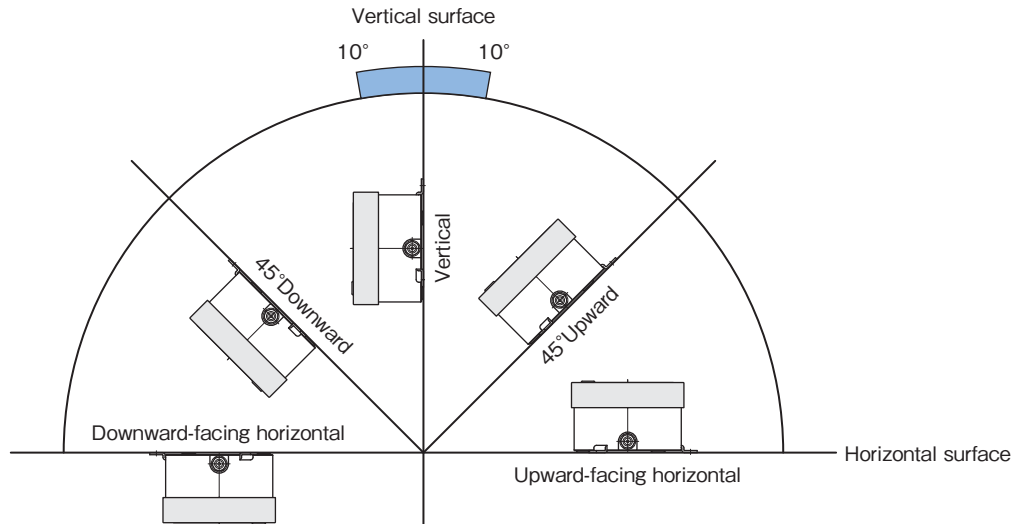
Differential pressure range	Minor graduation
500 to 0 to 500Pa	50Pa

DG70

Differential Pressure Gauge

Position Orientations

No need to specify tilt angle for use in () zone. 100Pa, 200Pa, 100 to 100Pa ranges for vertical position only.



Consult factory for other position orientations.

Model number configuration

Please specify the model, each requiring specification and differential pressure range to order.

Model		Differential Pressure Gauge															
Model number		①	②	③	④	⑤	⑥	⑦	⑧	⑨	⑩	⑪	⑫	⑬	⑭	⑮	
Model		D G 7 0			1			X X		X X		X X		X X			
Model number		Product specifications			Additional specifications (Optional)												
① Mounting	2	Panel mounting															
	3	Wall mounting															
	4	Wall mounting (Back connection)															
② Connection	1	φ 7 Rotary barb fitting (For tubing with φ 6 inner diameter)															
	2	φ 6 Rotary brass pipe fitting															
	6	φ 6 Brass pipe fitting															
	9	φ 7 Rotary barb fitting (For tubing with φ 6 inner diameter vinyl tube)															
③ Wetted materials	1	Diaphragm: Silicon rubber (NBR for 300 to 0 to 300 and 500 to 0 to 500Pa)															
Please specify differential pressure range and unit of measure along with corresponding ordering code.	④ Differential pressure range	1	0 to 100, 200Pa (Position Orientation: Vertical position only)														
		2	0 to 300, 500Pa, 1kPa														
		3	0 to 2, 3, 5kPa														
		4	100 to 0 to 100 (Position Orientation: Vertical position only), 200 to 0 to 200, 300 to 0 to 300, 500 to 0 to 500Pa														
⑤ Position orientations *1	A	Upward-facing horizontal															
	B	45° Upward															
	C	Vertical															
	D	45° Downward															
	E	Downward-facing horizontal															
⑧ Other additional spec.	0	Not required															
	1	Accessories *2															
⑮ Documents	0	Not required															
	1	Required (Documents available upon request) Datasheet (Drawing / Specifications) Instruction manual Inspection procedure Mill test report Calibration test report (One-part one sheet) Inspection / Traceability certificate Attending inspection															

* 1: Vertical mounting is available only for 0 to 100Pa, 0 to 200Pa and 100 to 0 to 100Pa pressure ranges.

* 2: Two pitot tubes, polyvinyl chloride tube 2m

Consult factory for other position orientations.

* Specify code "X" to refer N/A