

CQ88

Pressure Switch

Overview

This pressure switch is mainly focused on use on hydraulic apparatus designed with small size and high durability. Combination use with $\phi 60$ JIS pressure gauge is suitable.

Features

- High pressure switch with narrow deadband
- Incorporating bourdon tube element eliminating worry of leak occurred like piston type pressure switch
- Small and lightweight
- Common dimensions as JIS pressure gauge to make installation easy at panel mounting

*To maximize performance, select full scale pressure range to indicate normal operating pressure which comes to conditions below.

For constant pressure : The maximum operating pressure should not exceed three-quarters of the full-scale range.

For fluctuating pressure: The maximum operating pressure should not exceed two-thirds of the full-scale range.

Select appropriate wetted parts compatible with process fluid (gas and liquid) which the gauge will be subjected.

Please refer to JIS B 7505-1 for details.



Specifications 1

Media:

Gases, liquids

Operating environment:

Install in location where no gases or liquids may exist that have the potential to become flammable or ignitable under normal operating condition

Type:

Stem ·····  B type (Mounting hole)

Panel ·····  D type (Mounting hole)

Size:

$\phi 60$

Connection:

G1/4B

Wetted parts:

Bourdon tube SUS316
 Socket Stem C3604BD
 Panel CAC203

Pressure range:

0.5 to 3.5 → 2 to 20MPa

Proof pressure:

120%max.P.

Operating temperature:

-20 to 60°C (Non-freezing)

Accuracy:

$\pm 1.5\%$ max.P.

Setting accuracy:

$\pm 5\%$ max.P.

Temperature coefficient:

0.1%max.P.

Deadband:

Fixed 0.5 to 2MPa and below
 (Varies depending on pressure range)

Switch:

Micro switch

Number of contact:

One contact

Setting method:

Internally adjustable

Wiring:

No terminal L=450mm (3 wires)

Case material and finish:

ADC12 · Black

Enclosure rating:

General indoor use type (IP31)

Weight:

Approx.250g

CQ88

Pressure Switch

Specifications 2

Pressure range and deadband:

Pressure range MPa	Deadband MPa
0.5 to 3.5	0.5 and below
0.5 to 5	0.5 and below
1 to 10	1 and below
2 to 20	2 and below

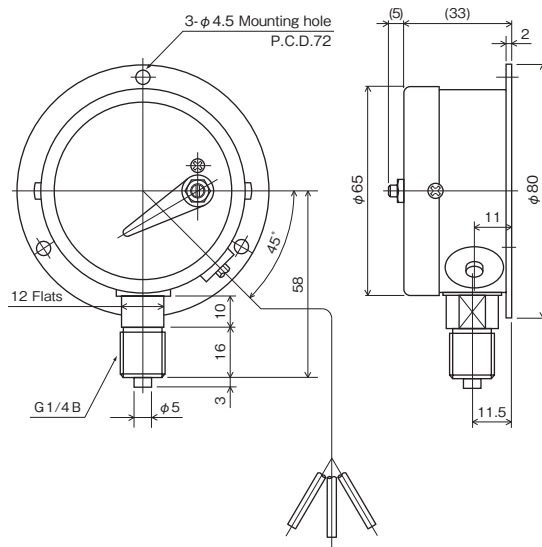
Electrical characteristic:

	Electrical rating		Withstand voltage
	Resistance load	Inductive load	
250V AC	5 A	3 A	1500V AC
30V DC	5 A	3 A	
• Inductive load is power factor 0.4A and below (AC) Time constant 7ms and below (DC)			Between terminal and case for 1 minute

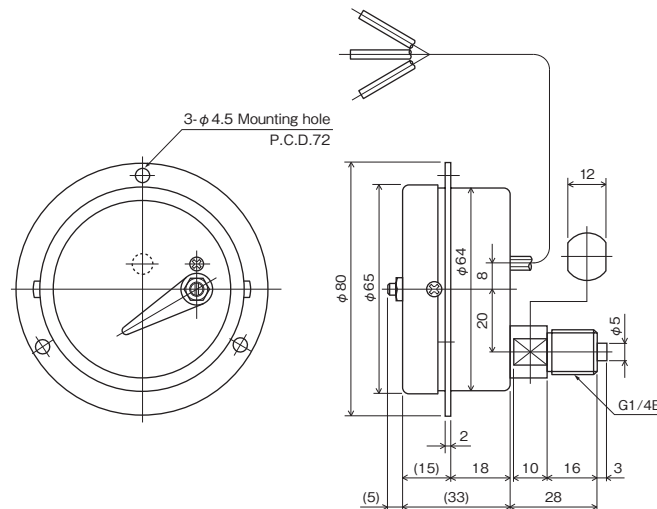
Dimensions

Unit: mm

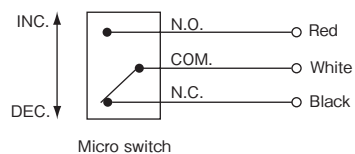
Stem



Panel



Wiring



Model number configuration

Please specify the model number, each specs and the range for ordering.

Model		C Q 8 8		—		2 1		—		0 0		× × × × ×				
Pressure Switch		①	②	③	④	⑤	⑥	⑦	⑧	⑨	⑩	⑪	⑫	⑬	⑭	⑮
Model number				Product specifications				Additional specifications (Optional)								
① Type	1	Stem														
	2	Panel														
② Connection	2	G1/4B														
	1	Bourdon tube: SUS316 Socket : C3604BD or CAC203														
③ Wetted parts	1	Bourdon tube: SUS316 Socket : C3604BD or CAC203														
	2															
④ Pressure range (MPa)	1	0.5 to 3.5, 0.5 to 5, 1 to 10														
	2	2 to 20														
⑤ Switch action	A	H: Upper limit with one contact														
	B	L: Lower limit with two contacts														
		Others														
⑥ Switch	0	Standard (Micro switch)														
⑦ Outlet for electric wire	0	Lead wire=450mm														
⑧ Treatment	0	Not required														
	1	Use no oil														
	2	Use no water														
	3	Use no oil & water														
⑨ Other additional spec.	0	Not required														
	1	Required (Documents available upon request) Case finish														
⑮ Documents	0	Not required														
	1	Required (Documents available upon request) Datasheet (Drawing / Specifications) Instruction manual Inspection procedure Mill test report Calibration test report (One-part one sheet) Inspection / Traceability certificate Attending inspection														

Please specify pressure range and unit of measure along with corresponding ordering code.

○ As setting scale on dial includes setting error, ensure the use of master gauge and reference pressure gauge to maintain accurate setting.

* Specify code "X" to refer N/A