

# CD81

## Flame Proof Type Differential Pressure Switch



### Overview

This is a Flame Proof Type Differential Pressure Switch that has higher pressure resistance than the previous product and can adjust the deadband, and moreover has acquired the international certification system "IECEX".

### Features

- Obtain certification under the IECEx System, an international certification system
- Japan: TIIS※1, Korea: KOSHA※2, Europe: ATEX Acquisition of Certification
- Proof pressure against single port: Max. 20MPa (50kPa and below: 8MPa)
- Air vent is located on the front
- Compatible with liquid differential pressure measurement (Diaphragm material for water measurement: EPDM specification recommended※3)

※1: Public Interest Incorporated Association ; Technology Institution of Industrial Safety

※2: Korea Occupational Safety and Health Agency


※3: When measuring water, EPDM is recommended as the wetted material, but avoid using it in aqueous solutions that significantly affect the changes in characteristics of EPDM.

### Recommended pressure setting range

Pressure setting range varies by pressure range, please refer to the specifications.

\*When selecting differential pressure switches, Please select a differential pressure range with normal operation pressure within 30 to 65% of full span to get full performance. Also check whether wetted parts material could be used for gases or liquids to be measured. When the liquids to be measured is water, please check whether or not the water treatment agent is suitable for the wetted parts material (Especially NBR).

### Specifications 1

Item	Description
Certifications (Symbol)	IECEX: Ex db IIB+H <sub>2</sub> T5 Gb / TIIS: Ex d IIB+H <sub>2</sub> T5 Gb / KOSHA: Ex d IIB+H <sub>2</sub> T5 / ATEX:  II 2 G Ex db IIB+H <sub>2</sub> T5 Gb
Media <sup>※2</sup>	Gas, liquid (No freezing)
Mounting type	Panel mounting, 2B pipe mounting
Connection	Rc1/4
Wetted parts	Diaphragm Buna N <sup>®</sup> or EPDM <sup>※1</sup> Body (Flange) SUS316 O-ring NBR or EPDM <sup>※1</sup> Spring SUS304
Differential pressure range	5 to 25kPa, 10 to 50kPa, 0.02 to 0.1MPa → 0.4 to 2MPa
Basic pressure / Single withstand pressure	50kPa and below: 8MPa / 0.1MPa and above: 20MPa
Operating temperature range	IECEX / KOSHA / ATEX: -20 to 60°C (No freezing), TIIS: -20 to 40°C (No freezing)
Accuracy	±1.5%max.P.
Deadband	8 to 15%max.P. Adjustable
Temperature coefficient	0.05%max.P./°C
Number of contacts	One contact (SPDT), Two contacts (DPDT) <sup>※3</sup>
Withstand voltage	2000V AC, 1 minute, Between terminal and case
Insulation resistance	DC500V megger, 100MΩ or higher, Between terminal and case
Setting Method	Internally adjustable
Outlet for electric wire	IECEX / KOSHA / ATEX: Conduit type 3/4NPT, M25×1.5 TIIS: Flameproof packing type G3/4, G1/2
Case material, finishing	AC7A, ADC12 · Blue / Gray with acid corrosion proof painted
Protection	IP66
Applicable standard	IEC 60079-0: 2011 IEC 60079-1: 2014 Internationally hermonized explosion-proof guidelines 2015
Weight	Approx. 15.5kg (Panel mounting, Range 50kPa and below), Approx. 11kg (Panel mounting, Range 0.1MPa and above)

※1 When measuring water, EPDM is recommended as the wetted material, but avoid using it in aqueous solutions that significantly affect the changes in characteristics of EPDM.

※2 Use only non-flammable fluids for measurement.

※3 Two contacts are operated simultaneously.

### Specifications 2

#### Electrical characteristic:

Switch	Rating			Withstand voltage	Insulation resistance
		Resistance load	Inductive load		
General type with one contact	125V AC	20 A	20 A	2000V AC Between terminal and case 1 minute	DC500V megger 100MΩ and above Between terminal and case
	250V AC	20 A	20 A		
	125V DC	0.5 A	0.05 A		
	250V DC	0.25 A	0.03 A		
Direct current type with one contact	125V AC	10 A	6 A		
	250V AC	3 A	1.5 A		
	125V DC	10 A	6 A		
	250V DC	3 A	1.5 A		
Simultaneously operating type with two contacts	125V AC	10 A	6 A		
	250V AC	10 A	4 A		
	125V DC	0.5 A	0.05 A		
	250V DC	0.25 A	0.03 A		

- Inductive load: Power factor 0.4 or over (AC) Time constant 7ms and below (DC)
- ※ Direct current type with one contact: For general purpose, those ratings increased DC.

#### Pressure range and deadband • Proof pressure • Wetted parts:

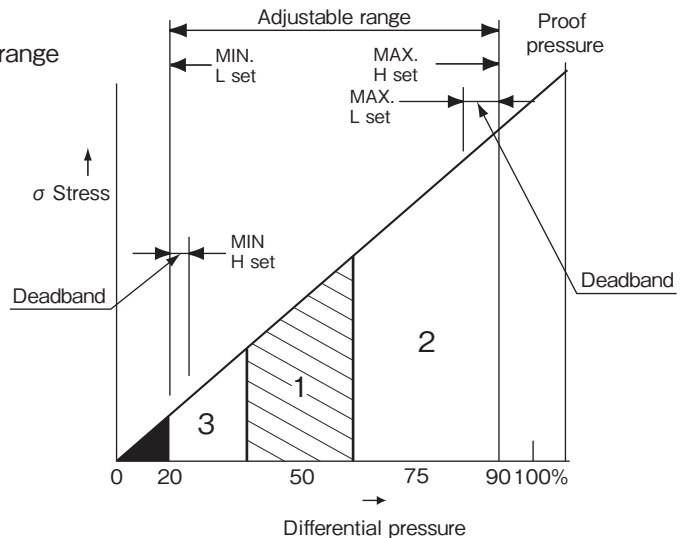
Differential pressure range	Deadband (Adjustable type) One contact • Two contacts For all types	Basic pressure Pressure loaded one side Pressure loaded two sides	Wetted parts			
			Diaphragm	O-ring	Body	Spring
5 to 25kPa	2.0 to 3.7kPa	8MPa	Buna N® or EPDM	NBR or EPDM	SUS316	SUS304
10 to 50kPa	4.0 to 7.5kPa					
0.02 to 0.1MPa	0.008 to 0.015MPa	20MPa				
0.04 to 0.2MPa	0.016 to 0.030MPa					
0.06 to 0.3MPa	0.024 to 0.045MPa					
0.08 to 0.4MPa	0.032 to 0.060MPa					
0.1 to 0.5MPa	0.040 to 0.075MPa					
0.12 to 0.6MPa	0.048 to 0.090MPa					
0.16 to 0.8MPa	0.064 to 0.120MPa					
0.2 to 1MPa	0.080 to 0.150MPa					
0.3 to 1.5MPa	0.120 to 0.225MPa					
0.4 to 2MPa	0.160 to 0.300MPa					

#### How to select effective operating differential pressure range

- Set value is accurate and stable: 40%max.P. and above
- Maintain long life: 65%max.P. and below
- Set value is accurate maintaining long life (ideal): 30 to 65% of adjustable range

In the right figure

- Range 1. Effective range both for accuracy and long life
- Range 2. Effective range for maintaining accuracy
- Range 3. Effective range for maintaining long life



# CD81

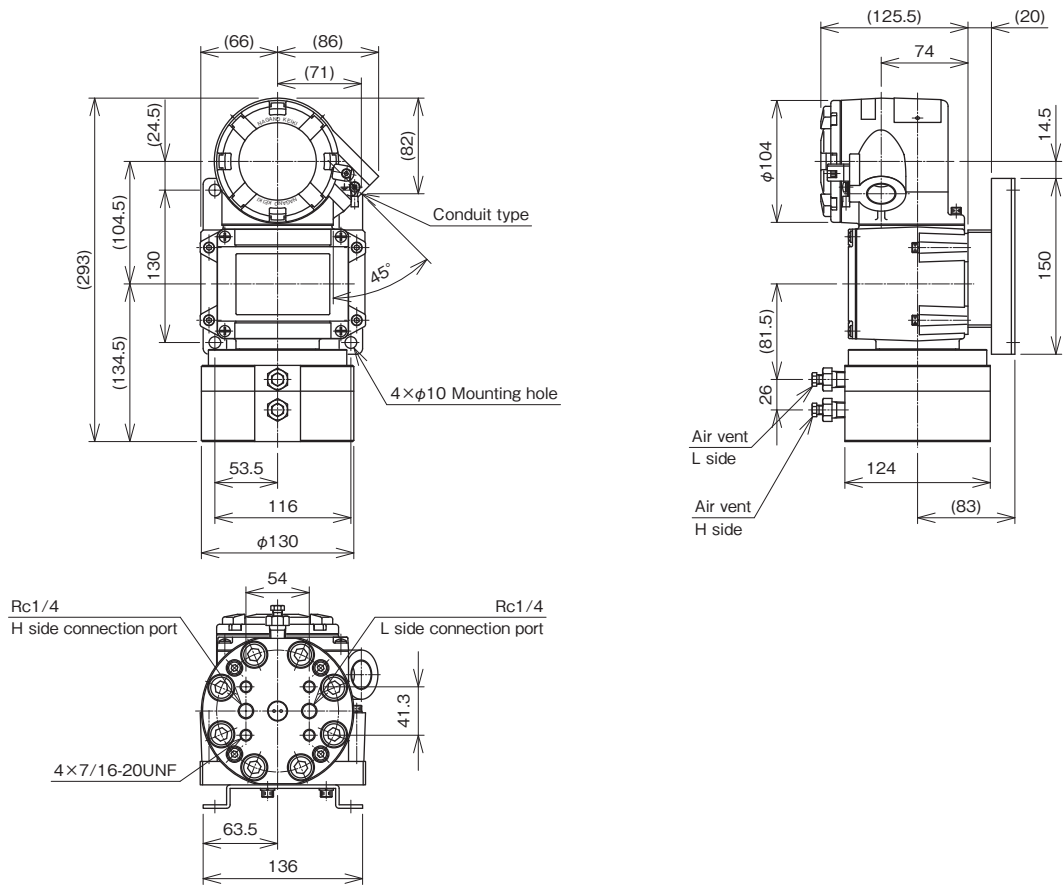
## Flame Proof Type Differential Pressure Switch

### Dimensions 1

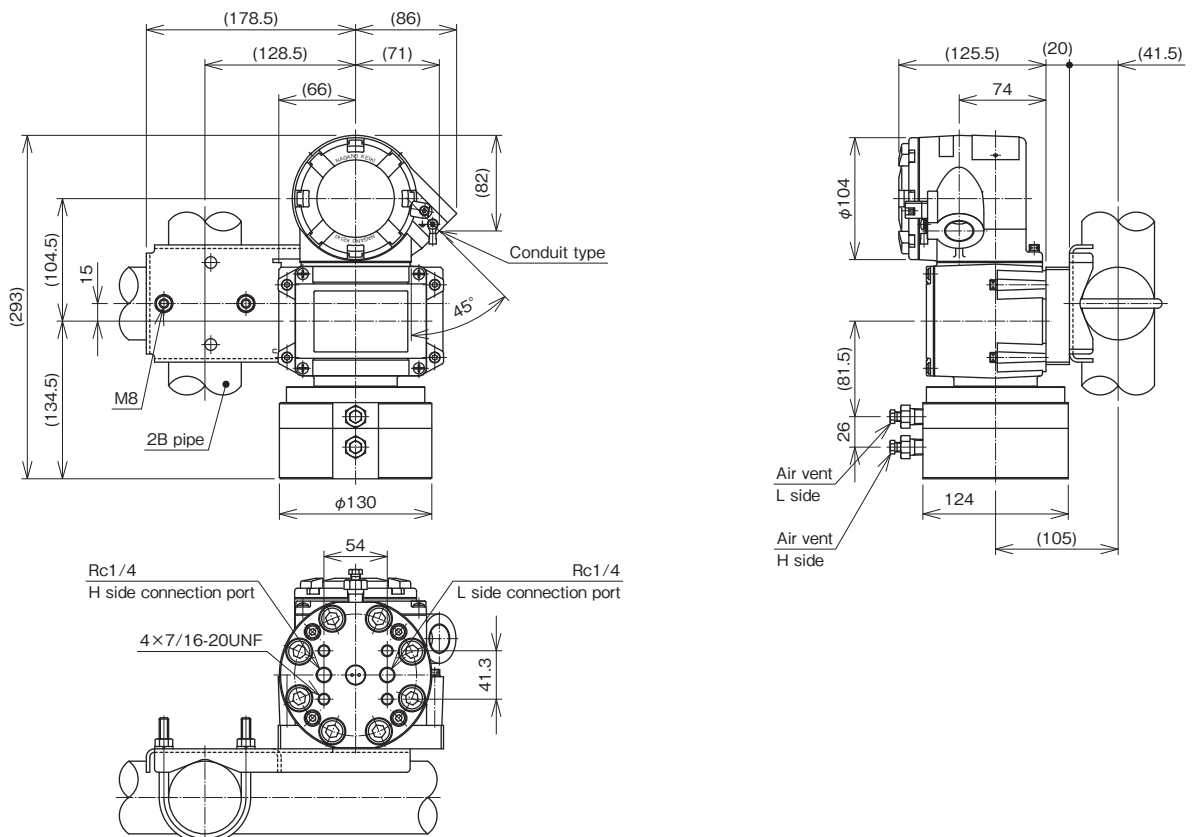
Unit: mm

Differential pressure range: 0.1MPa and above

IECEX/KOSHA/ATEX (Outlet for electric wire: Conduit type) Panel mounting



### 2B pipe mounting

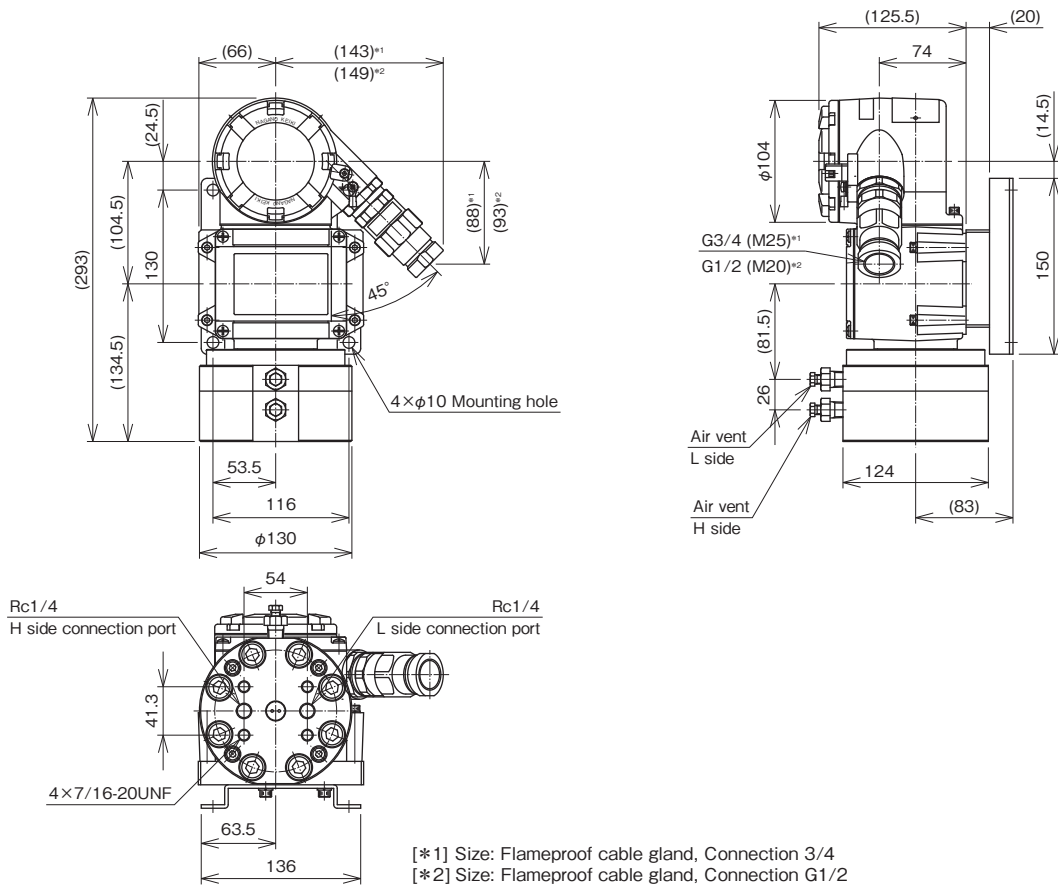


### Dimensions 2

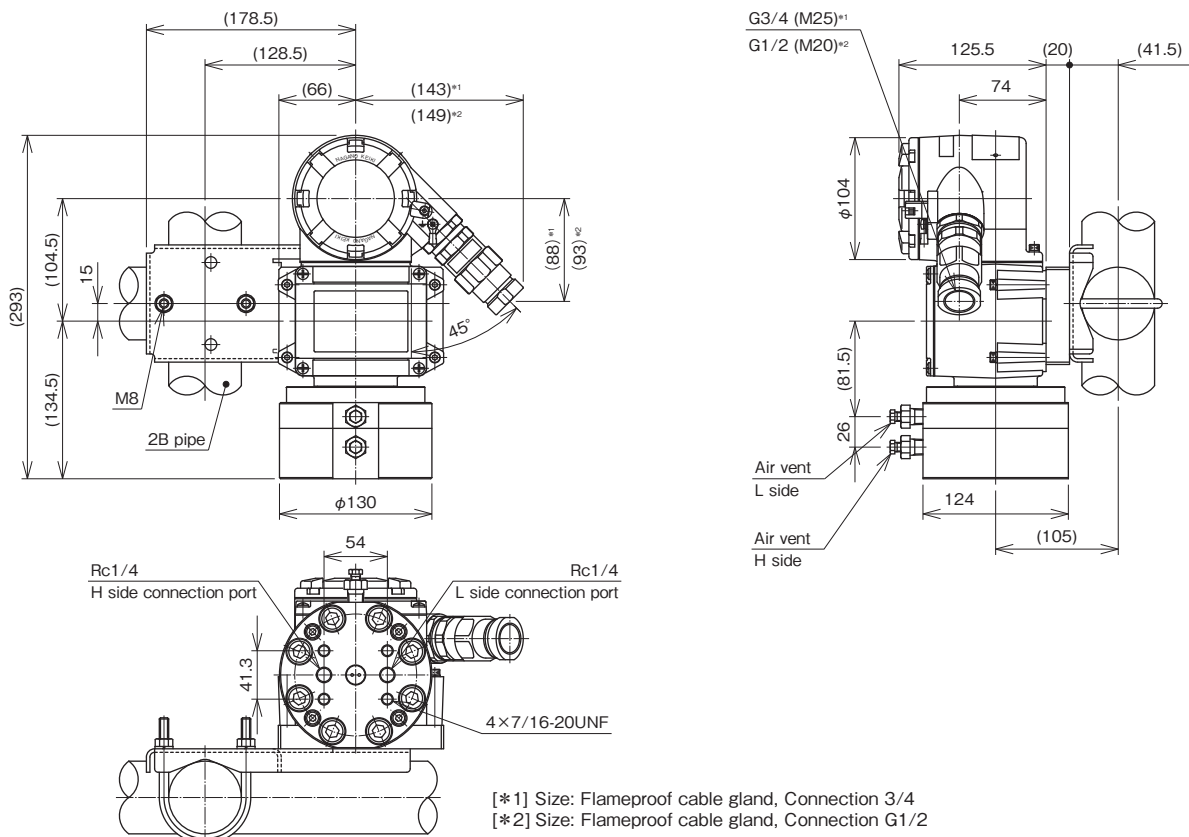
Unit: mm

TIIS (Outlet for electric wire: Flameproof packing type)

#### Panel mounting



#### 2B pipe mounting

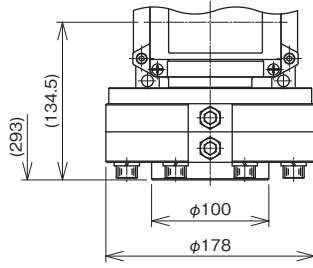


### Pressure receiving part

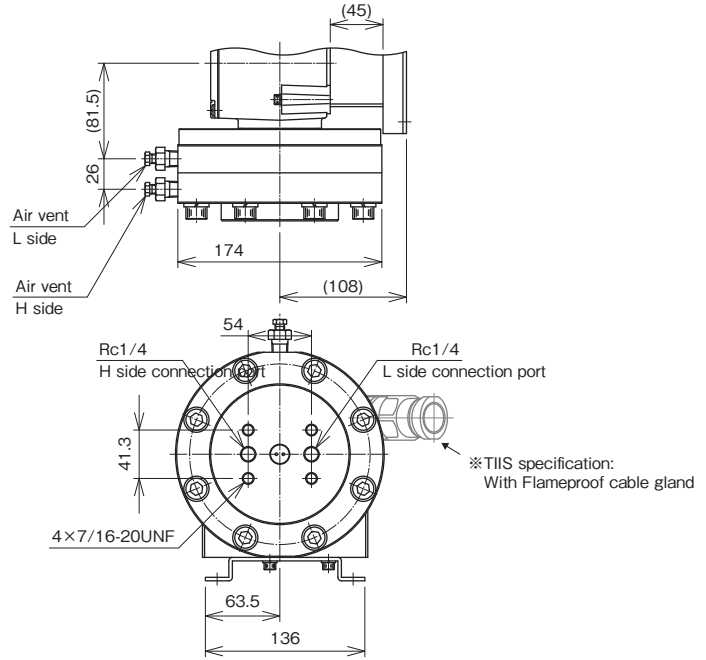
Unit: mm

IECEX/KOSHA/ATEX

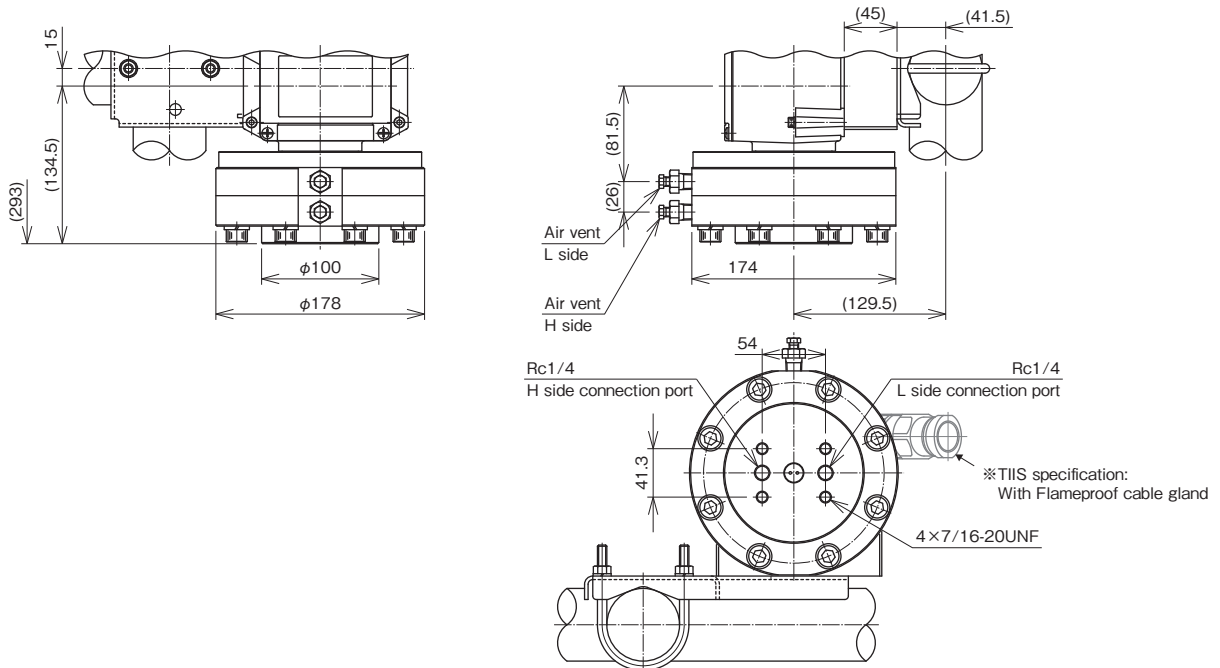
Differential pressure range  
50kPa and below



### Panel mounting

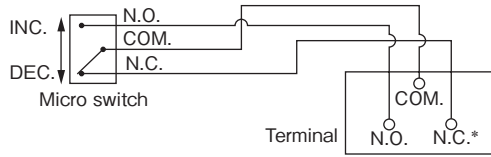


### 2B pipe mounting



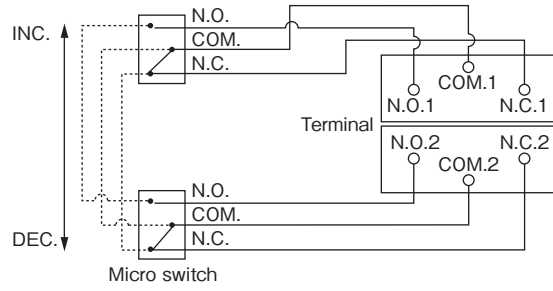
### Wiring diagram

One contact (SPDT)



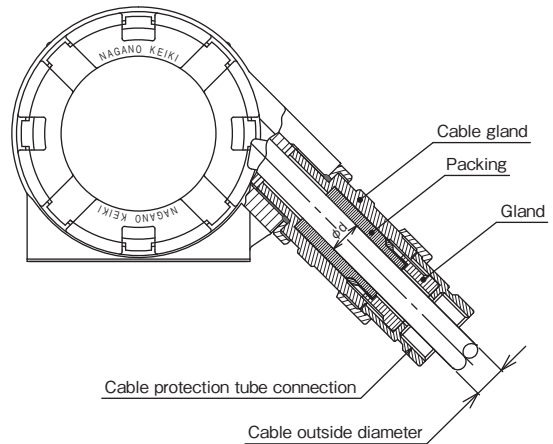
\*Please connect the (+) polarity with common terminal COM1 for S.P.D.T. specification for 1 point of contact direct current.

Two contacts (DPDT)



### Outlet for electric wire

Conduit Connection	Packing inner diameter (d) $\phi$	Applicable cable outside diameter $\phi$	Protection tube Connection
M20	7	6 to 7	G1/2
	8	7 to 8	
	9	8 to 9	
	10	9 to 10	
	11	10 to 11	
M25	11	10 to 11	G3/4
	12	11 to 12	
	13	12 to 13	
	14	13 to 14	
	15	14 to 15	
	16	15 to 16	



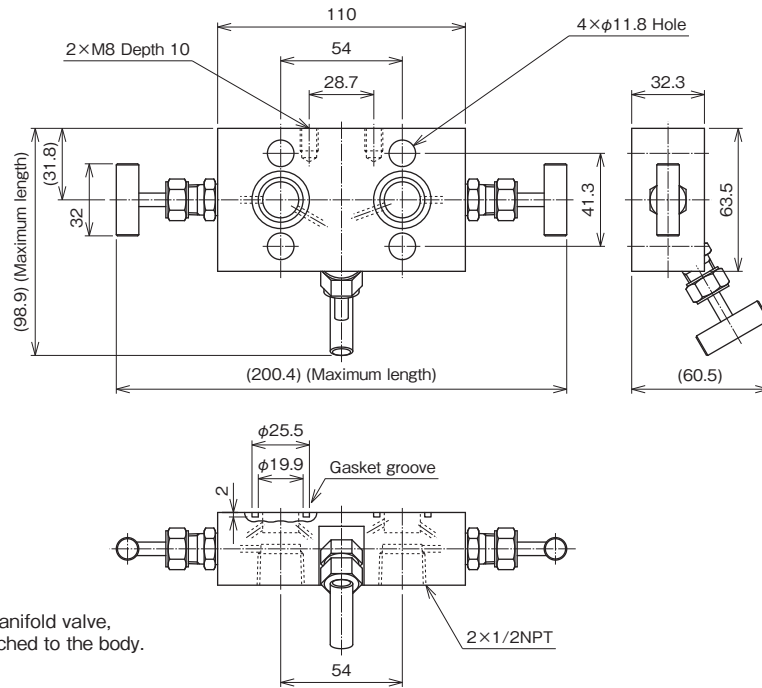
# CD81

## Flame Proof Type Differential Pressure Switch

### Option

Unit: mm

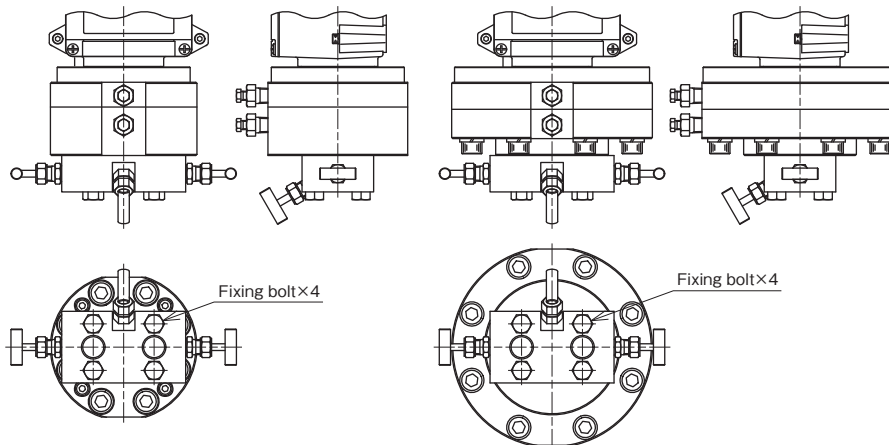
#### Manifold valve (FV42-XD3)



\*When ordering with Manifold valve, it will be shipped attached to the body.

Wetted parts	Accessories
ASTM A479 316 (SUS316) ASTM A276 316 (SUS316) PTFE	PTFE O-ring×2 pcs. Fixing bolt×4 pcs.

#### CD81: with Manifold valve



Pressure range: 0.1MPa and above

Pressure range: 50kPa and below



### Flameproof

#### Type approval number certified for explosion protected equipment:

Obtain certification under the IECEX System, an international certification system.

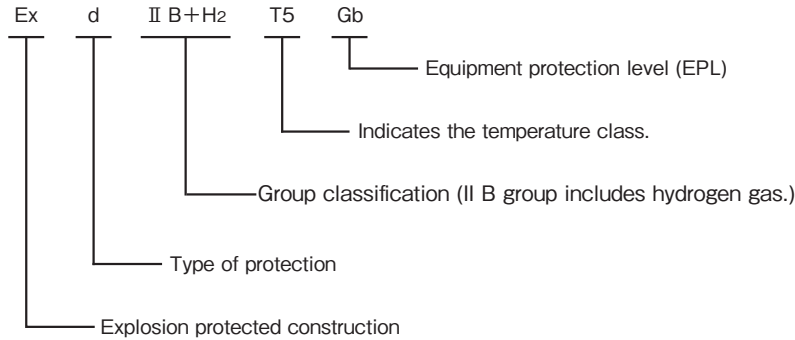
Approval number	
IEC	IECEX CML 16.0024X
TIIS	TC22173X
KOSHA	17-AV4BO-0421X
ATEX	CML 17ATEX1264X

#### Flameproof enclosure:

Flameproof enclosure refers all-sealed enclosure construction that can withstand the pressure of explosion of the potentially explosive mixture inside, and prevent the transmission of explosion to the potentially explosive atmosphere surrounding the enclosure.

Our pressure switch manufactured in accordance with the principle can be located at factory and other workplaces for use in potentially explosive atmosphere where flammable gas or vapor of combustible liquid exists.

#### Ex d II B+H<sub>2</sub> T5 Gb:



#### Group classification

Electrical equipment intended for use in potentially explosive atmosphere is classified into group I and II. This pressure switch is classified into II which means suitable for non-mine locations or other workplaces that could be endangered by potentially explosive atmosphere.

#### Applicable group and classification of gas or steam

Classification of gas or steam	Applicable group		
A	II A	II B	II C
B	—	II B	II C
C	—	—	II C

#### Ignition point of gas or steam which T5 can apply

Ignition point of gas or steam	Applicable temperature class					
Higher than 450°C	T1	T2	T3	T4	T5	T6
Higher than 300°C	—	T2	T3	T4	T5	T6
Higher than 200°C	—	—	T3	T4	T5	T6
Higher than 135°C	—	—	—	T4	T5	T6
Higher than 100°C	—	—	—	—	T5	T6
Higher than 85°C	—	—	—	—	—	T6

#### Example of applicable gas or steam

Temperature class	T1	T2	T3	T4	T5	T6
II A	Acetone Ammonia Carbon monoxide Ethane Acetic acid Ethyl acetate Toluene Propane Benzene Methanol Methane	Ethanol 1-butanol Butane	Hexane	Acetaldehyde		
II B		Ethylene Ethylene oxide		Ethyl methyl Ether		
II C	Hydrogen	Acetylene			Carbon bisulfide	Nitric acid ethyl

#### Equipment protection level (EPL) classification symbol

- Ga: Equipment for explosive atmospheres due to the presence of gas, with a level of protection 'very high', which is not a source of ignition in normal operation, or in case of expected failure or when subjected to a rare failure.
- Gb: Equipment for use in explosive atmospheres due to the presence of gas, with a 'high' level of protection that is not the source of ignition in normal operation or when subject to expected malfunctions, although not on a regular basis.
- Gc: Equipment for use in explosive atmospheres due to the presence of gas, with a level of protection "increased" that is not a source of ignition in normal operation. It has some additional security measures in order to ensure that it remains a source of ignition not active in case of expected events on a regular basis (for example, the failure of a lamp).

