

High precision

Low Pressure Gauges GL·AN Series



Outline

This is the pressure gauge for the measuring with high precision ($\pm 1.5\%F.S.$ (Option: $1.0\%F.S.$)*) of a low pressure of 50kPa or less. Directly measuring the pressure but also can measuring capacity quantity and liquid depth in the tank. However, measuring liquid entering into a pressure element causes an error of performance. So, it is requested a medium like air according to an air purging method be applied.

Low Pressure Gauges line up

| Size | φ 64 | | φ 75 | | φ 100 | | | | φ 150 | | φ 200 | | | |
|-----------------------------------|---|--------------------|-------------------------|--------------------|---|-----------------------|------------------------|-----------------------|----------------------|-----------------------|----------------------|------------------------|----------------------|-----------------------|
| | NEW | | NEW | | Low pressure | High pressure | Low pressure | High pressure | | | Low pressure | High pressure | | |
| Model | GL17 | GL13 | GL19 | AN10 | GL10 | GL15 | GL20 | GL25 | GL21 | GL26 | GL22 | GL27 | GL23 | GL28 |
| Mounting type | Type D Direct type | Type A | Type D Mounting hole | Type A | Type B Mounting hole | Type D Mounting clamp | Type B Mounting hole | Type D Mounting clamp | Type B Mounting hole | Type D Mounting clamp | Type B Mounting hole | Type D Mounting clamp | Type B Mounting hole | Type D Mounting clamp |
| Element | Chamber | | | Bourdon tube | Chamber | | Bellows | | | | | | | |
| Pressure range (Vacuum, Compound) | 0~5kPa ↓ 0~15kPa | | 0~20kPa ↓ 0~50kPa | | 0~2, 3kPa | | 0~4kPa ↓ 0~30kPa | | 0~2, 3kPa | | | 0~4kPa ↓ 0~30kPa | | |
| Accuracy | $\pm 1.5\%F.S.$ (Option: $\pm 1.0\%F.S.$)* | | | | | | | | | | | | | |
| Case material | Inner frame | SPCC | Nylon | SPCC | Nylon | ADC12 | AC7A | ADC12 | AC7A | | | | | |
| | Outer frame | | SUS430 | | SUS430 | ADC12 | | | AC7A | | | | | |
| Finishing | Inner frame | Silver, Cr plating | Black | Silver, Cr plating | Black | Black | | | | | | | | |
| | Outer frame | | Material | | Material | | | | | | | | | |
| Connection | R1/4 | G3/8B, others | G3/8B | G3/8B, others | G3/8B, Others | | | | | | | | | |
| Glass | Inorganic glass (Standard) or Organic glass | | | | Inorganic glass (Standard) or Organic glass, others | | | | | | | | | |

* Accuracy of AN10: $\pm 2.0\%F.S.$

GL·AN10

Low Pressure Gauges

Outline

This is the pressure gauge for the measuring of a low pressure of 50kPa or less. Directly measuring the pressure but also can measuring capacity quantity and liquid depth in the tank. However, measuring liquid entering into a pressure element causes an error of performance. So, it is requested a medium like air according to an air purging method be applied.

Features

- **Standard accuracy: $\pm 1.5\%$ F.S. (Option: $\pm 1.0\%$ F.S.)**
It is possible measuring with fine pressure the high precision.
- **This gauges is simple in construction, making measuring and maintenance easier.**

* Accuracy of AN10: $\pm 2.0\%$ F.S.

Please select the pressure range with the max. pressure under the following conditions to be fully demonstrated.

For fixed pressure: Less than 3/4 of the max. pressure range

For fluctuating pressure: Less than 2/3 of the max. pressure range

Also check whether wetted parts material could be used for gases or liquids to be measured.

Please refer to JIS B 7505-1 for more information.

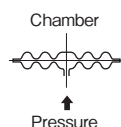


Pressure element

The displacements of pressure elements, either being chamber type or Bellows type, are applied to measure the pressure. The displacements being magnified by the amplifying mechanism with the build-in precision movement are transmitted to the pointer.

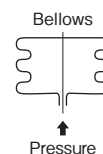
Chamber type

This type is a fixed two corrugated metallic discs and uses the displacements by being pressurized inside as is shown below.



Bellows type

This type is a cylindrical bellows with one closed side and uses the displacements by being pressurized inside from the other opened side, as is shown below.



* AN10: Bourdon tube type

Specifications 1

Fluid:

Gas

Size:

ϕ 64 (Model: GL17)

ϕ 75 (Model: GL13, GL19, AN10)

ϕ 100 (Model: GL10, GL15, GL20, GL25)

ϕ 150 (Model: GL21, GL26)

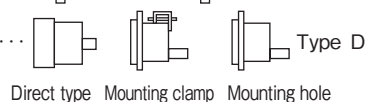
ϕ 200 (Model: GL22, GL23, GL27, GL28)

Mounting:

Stem ·····



Panel mounting ·····



Connection:

R1/4, G3/8B, R3/8, 3/8NPT
(Depends on model.)

Operating temperature:

-5°C~40°C

Accuracy:

$\pm 1.5\%$ F.S.

$\pm 1.0\%$ F.S. upon request

* Accuracy of AN10: $\pm 2.0\%$ F.S.

Protection:

Equivalent to IP22

Weight:

Approx. 0.3~3.5kg

* Refer to specification 3.

Specifications 2

Pressure range, Gas contact parts materials, Minimum graduation:

φ 64, φ 75 Chamber type

| Pressure range kPa | | | Minimum graduation kPa | Element material GL17-671 GL13-1□1 GL19-231 | Socket material |
|--------------------|-------------------|----------|------------------------|--|---|
| Positive pressure | Negative pressure | Compound | | | |
| 0~5 | -5~0 | -2~3 | 0.2 | C5191P | C3604BD GL17-671, GL19-231: CAC203 |
| | | -3~2 | | | |
| 0~7 | -7~0 | -2~5 | 0.2 | | |
| | | -5~2 | | | |
| 0~10 | -10~0 | -5~5 | 0.5 | | |
| 0~15 | -15~0 | -5~10 | 0.5 | | |
| | | -10~5 | | | |

φ 75 Bourdon tube type

| Pressure range kPa | | | Minimum graduation kPa | Element material AN10-1□1 | Socket material |
|--------------------|-------------------|----------|------------------------|------------------------------|-----------------|
| Positive pressure | Negative pressure | Compound | | | |
| 0~20 | -20~0 | -10~10 | 1 | C6872T | CAC203 |
| 0~30 | -30~0 | -10~20 | 1 | | |
| | | -20~10 | | | |
| 0~40 | -40~0 | -10~30 | 2 | | |
| | | -30~10 | | | |
| | | -20~20 | | | |
| 0~50 | -50~0 | -20~30 | 2 | | |
| | | -30~20 | | | |

φ 100 Chamber type/ φ 200 Bellows type

| Pressure range kPa | | | Minimum graduation kPa | Element material | | Socket material | |
|--------------------|-------------------|----------|------------------------|--------------------|---------------------|--------------------|---------------------|
| Positive pressure | Negative pressure | Compound | | φ 100 Chamber type | φ 200 Bellows type | φ 100 Chamber type | φ 200 Bellows type |
| | | | | General use | Corrosion-proof use | | |
| 0~2 | -2~0 | -1~1 | 0.05 | GL10-2□1, GL15-1□1 | GL22-2□3, GL27-1□3 | General use | Corrosion-proof use |
| 0~3 | -3~0 | -1~2 | 0.1 | C5210P | SUS316L | C3604BD | SUS316 |
| | | -2~1 | | | | | |

φ 100, 150, 200 Bellows type

| Pressure range kPa | | | Minimum graduation kPa | Element material | | | | Socket material | | | |
|--------------------|-------------------|----------|------------------------|----------------------|----------------------|----------------------|----------------------|----------------------|----------------------|------------------------------------|--|
| Positive pressure | Negative pressure | Compound | | φ 100 | | φ 150 | | φ 200 | | General use | Corrosion-proof use |
| | | | | General use | Corrosion-proof use | General use | Corrosion-proof use | General use | Corrosion-proof use | | |
| 0~4 | -4~0 | -1~3 | 0.1 | GL20-2□1 GL25-1□1 | GL20-2□3 GL25-1□3 | GL21-2□1 GL26-1□1 | GL21-2□3 GL26-1□3 | GL23-2□1 GL28-1□1 | GL23-2□3 GL28-1□3 | CAC203 GL23-2□1: C3604BD | SCS14 GL26-1□3, GL23-2□3, GL28-1□3: SUS316 |
| | | -3~1 | | | | | | | | | |
| | | -2~2 | | | | | | | | | |
| 0~5 | -5~0 | -1~4 | 0.1 | | | | | | | | |
| | | -4~1 | | | | | | | | | |
| | | -2~3 | | | | | | | | | |
| 0~7 | -7~0 | -3~2 | 0.2 | | | | | | | | |
| | | -2~5 | | | | | | | | | |
| | | -5~2 | | | | | | | | | |
| 0~10 | -10~0 | -3~4 | 0.2 | | | | | | | | |
| | | -4~3 | | | | | | | | | |
| | | -5~5 | | | | | | | | | |
| 0~15 | -15~0 | -5~10 | 0.5 | | | | | | | | |
| | | -10~5 | | | | | | | | | |
| 0~20 | -20~0 | -10~10 | 0.5 | | | | | | | | |
| 0~30 | -30~0 | -10~20 | 1 | | | | | | | | |
| | | -20~10 | | | | | | | | | |
| | | -15~15 | | | | | | | | | |

Specifications 3

Case material, Finishing, Element, Glass:

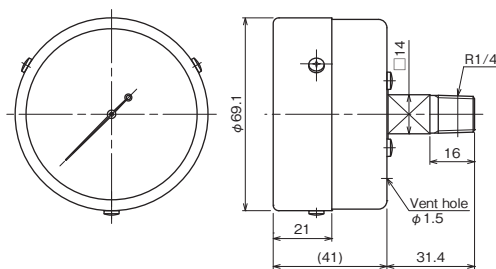
| Size | Model number | Mounting type | Case material, Finishing | | | | Element | Pressure range (Vacuum, Compound) | Connection | Glass | Weight (kg) |
|------|---------------------------|------------------|--------------------------|-------------|--------------------|-------------|--------------------|--------------------------------------|--|--|------------------|
| | | | Material | | Color | | | | | | |
| | | | Inner frame | Outer frame | Inner frame | Outer frame | | | | | |
| φ64 | GL17-671 | D Direct type | SPCC | SPCC | Silver, Cr plating | | Chamber | R1/4 | Inorganic glass (Standard) or Organic glass | Approx. 0.3 | |
| φ75 | Low pressure GL13-1□1 | A | Nylon | SUS430 | Black | Material | | | | 0~5kPa→ 0~15kPa | G3/8B, others |
| | High pressure AN10-1□1 | D Mounting hole | SPCC | SPCC | Silver, Cr plating | | | 0~20kPa→ 0~50kPa | | G3/8B, others | Approx. 0.35 |
| φ100 | Low pressure GL10-2□1 | B Mounting hole | ADC12 | ADC12 | Black | Material | Chamber | 0~2, 3kPa | G3/8B, others | Inorganic glass (Standard) or Organic glass or others | Approx. 0.6 |
| | GL15-1□1 | D Mounting clamp | AC7A | | | | | | | | Approx. 0.75 |
| | High pressure GL20-2□□ | B Mounting hole | ADC12 | | | | 0~4kPa→ 0~30kPa | Approx. 0.7 | | | |
| | GL25-1□□ | D Mounting clamp | AC7A | | | | 0~2, 3kPa | Approx. 1.5 | | | |
| φ150 | GL21-2□□ | B Mounting hole | AC7A | Black | Material | Bellows | 0~2, 3kPa | G3/8B, others | Inorganic glass (Standard) or Organic glass or others | Approx. 3 | |
| | GL26-1□□ | D Mounting clamp | | | | | | | | 0~4kPa→ 0~30kPa | Approx. 3.5 |
| φ200 | Low pressure GL22-2□3 | B Mounting hole | AC7A | Black | Material | Bellows | 0~2, 3kPa | G3/8B, others | Inorganic glass (Standard) or Organic glass or others | Approx. 3 | |
| | GL27-1□3 | B Mounting hole | | | | | | | | 0~4kPa→ 0~30kPa | Approx. 3.5 |
| | High pressure GL23-2□□ | D Mounting clamp | | | | | 0~4kPa→ 0~30kPa | | | Approx. 3 | |
| | GL28-1□□ | D Mounting clamp | | | | | 0~4kPa→ 0~30kPa | | | Approx. 2 | |
| | GL28-2□□ | D Mounting hole | | | | | | | | | |

Dimensions 1

Unit: mm

φ64 (Type D, Direct type)

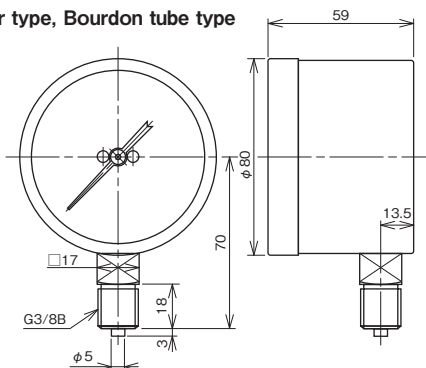
Chamber type



GL17-671

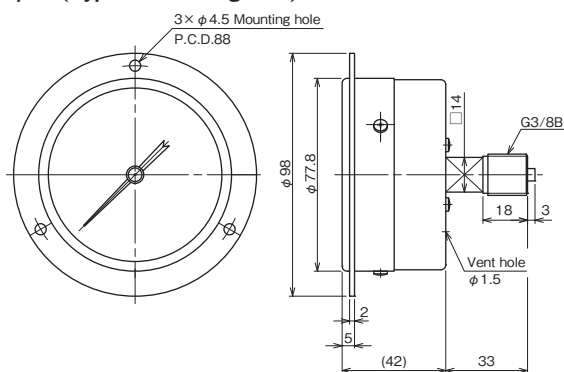
φ75 (Type A)

Chamber type, Bourdon tube type



GL13-131
AN10-131

φ75 (Type D Mounting hole)



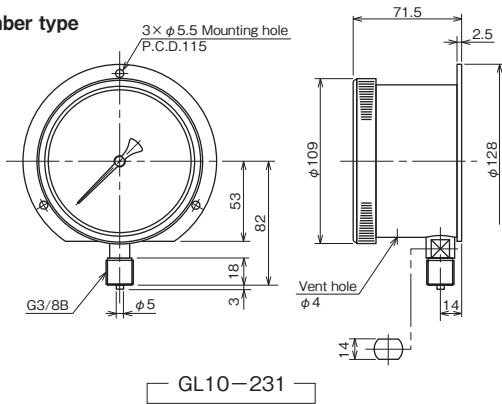
GL19-231

Dimensions 2

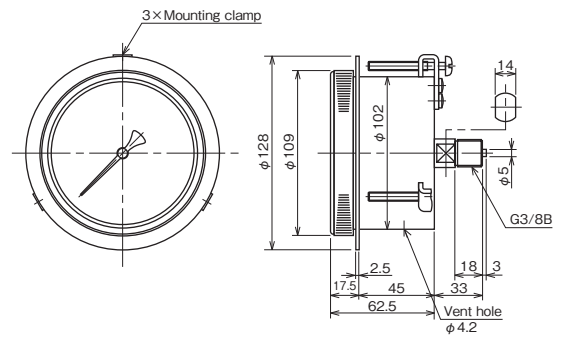
Unit: mm

φ100

Chamber type



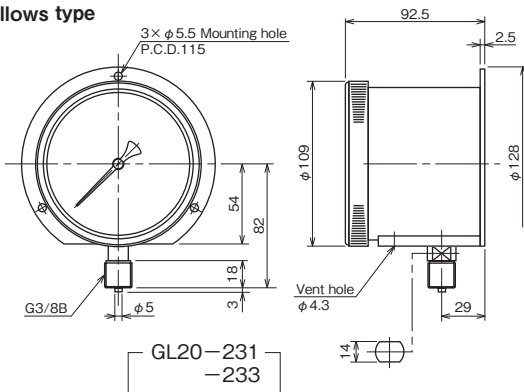
GL10-231



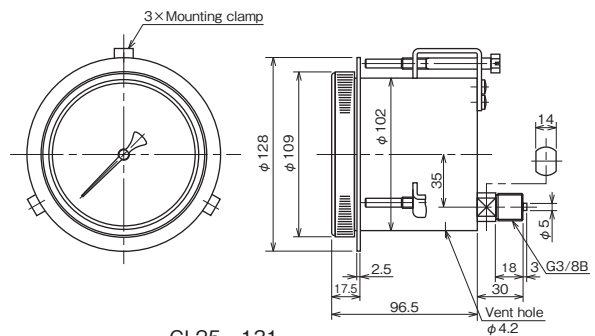
GL15-131

φ100

Bellows type



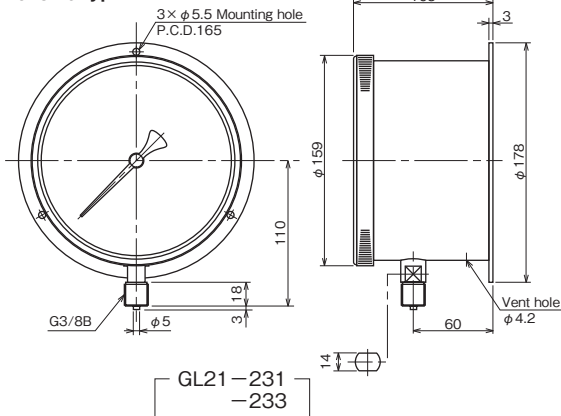
GL20-231
-233



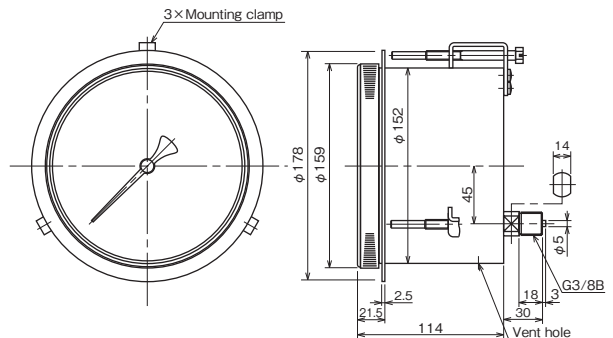
GL25-131
-133

φ150

Bellows type



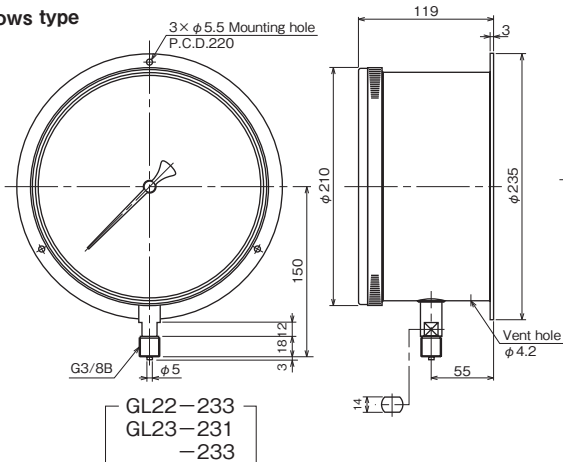
GL21-231
-233



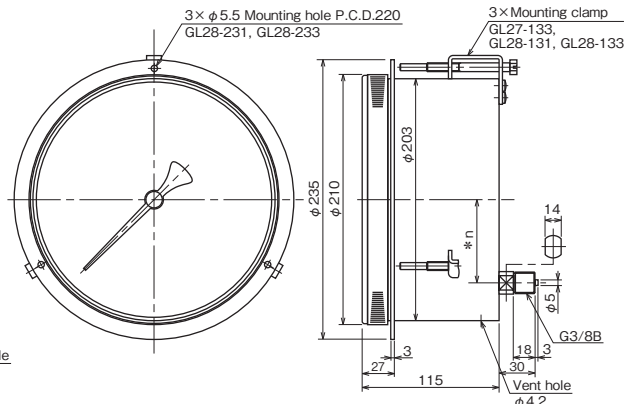
GL26-131
-133

φ200

Bellows type



GL22-233
GL23-231
-233

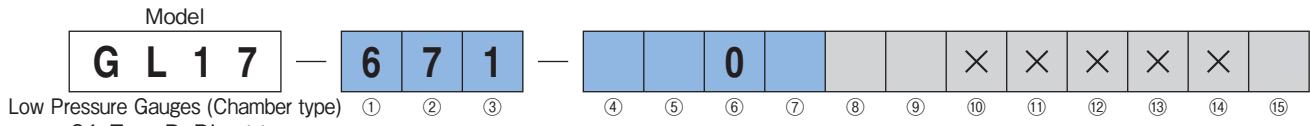


GL27-133
GL28-131
-133
-231
-233

*n
GL27 ... 70
GL28 ... 45

Model number configuration 1

For ordering, please specify the model number, each specs and the range.



| Model number | | Selective spec. | Additional spec. (Option) |
|---|-----------------------------|--|--|
| ① Mounting | 6 | Panel mounting Type D (Direct type) | |
| ② Connection | 7 | R1/4 | |
| ③ Gas contact parts material | 1 | Chamber type Refer to specification 2 | |
| Please specify the pressure range and units separately besides selection of range code. | ④ Pressure range (kPa) | 2 | 0~5, 7, 10, 15 |
| | | 6 | -5, -7, -10, -15~0 |
| | | 9 | Compound (Refer to specification 2) |
| | ⑤ Accuracy | 0 | Standard (±1.5%F.S.) |
| | | 3 | ±1.0%F.S. |
| | ⑥ Pointer | 0 | Standard |
| | ⑦ Glass | 0 | Inorganic glass (Standard) |
| | | 1 | Organic glass |
| | ⑧ Treatment | 0 | Nil |
| | | 1 | Use no oil |
| | | 2 | Use no water |
| | | 3 | Use no oil & water |
| | ⑨ Other additional spec. | 0 | Nil |
| | | 1 | Required (Please specify the desired documents separately.) Dial scale* |
| | ⑮ Documents | 0 | Nil |
| | | 1 | Required (Please specify the desired documents separately.) Submission drawings, instruction manual, inspection procedure, mill sheet, test report (1 pc 1 copy), inspection / traceability certificate, strength calculation, attended inspection |

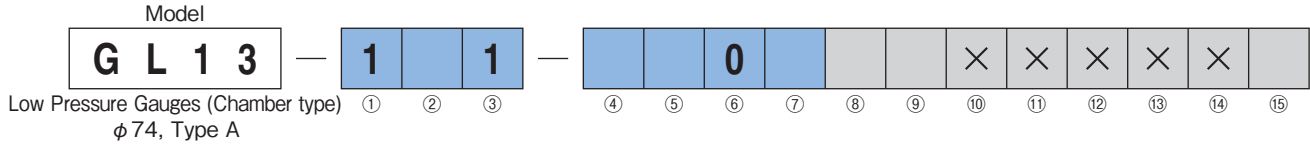
【Manufacturing range】

* Scale options: Capacity scale, printed words or colored circle

Specify "X" if there is no specification item.

Model number configuration 2

For ordering, please specify the model number, each specs and the range.



| Model number | | Selective spec. | Additional spec. (Option) |
|---------------------------------|---|--|---------------------------|
| ① Mounting | 1 | Stem | Type A |
| ② Connection | 3 | G3/8B | |
| | G | R3/8 | |
| | L | 3/8NPT | |
| | 9 | Other specified | |
| ③ Gas contact parts material | 1 | Chamber type Refer to specification 2 | |
| ④ Pressure range (kPa) | 2 | 0~5, 7, 10, 15 | |
| | 6 | -5, -7, -10, -15~0 | |
| | 9 | Compound (Refer to specification 2) | |
| ⑤ Accuracy | 0 | Standard ($\pm 1.5\%$ F.S.) | |
| | 3 | $\pm 1.0\%$ F.S. | |
| ⑥ Pointer | 0 | Standard | |
| ⑦ Glass | 0 | Inorganic glass (Standard) | |
| | 1 | Organic glass | |
| ⑧ Treatment | 0 | Nil | |
| | 1 | Use no oil | |
| | 2 | Use no water | |
| | 3 | Use no oil & water | |
| ⑨ Other additional spec. | 0 | Nil | |
| | 1 | Required (Please specify the desired documents separately.) Dial scale*, Case color | |
| ⑮ Documents | 0 | Nil | |
| | 1 | Required (Please specify the desired documents separately.) Submission drawings, instruction manual, inspection procedure, mill sheet, test report (1 pc 1 copy), inspection / traceability certificate, strength calculation, attended inspection | |

Please specify the pressure range and units separately besides selection of range code.

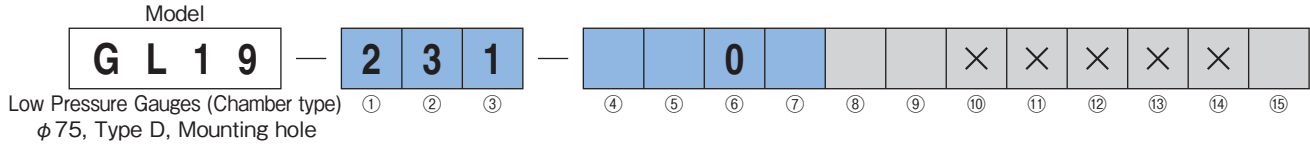
[Manufacturing range]

* Scale options: Capacity scale, printed words or colored circle

Specify "X" if there is no specification item.

Model number configuration 3

For ordering, please specify the model number, each specs and the range.



| Model number | Selective spec. | Additional spec. (Option) |
|------------------------------|-----------------|--|
| ① Mounting | 2 | Panel mounting Type D (Mounting hole) |
| ② Connection | 3 | G3/8B |
| ③ Gas contact parts material | 1 | Chamber type Refer to specification 2 |
| ④ Pressure range (kPa) | 2 | 0~5, 7, 10, 15 |
| | 6 | -5, -7, -10, -15~0 |
| | 9 | Compound (Refer to specification 2) |
| ⑤ Accuracy | 0 | Standard (±1.5%F.S.) |
| | 3 | ±1.0%F.S. |
| ⑥ Pointer | 0 | Standard |
| ⑦ Glass | 0 | Inorganic glass (Standard) |
| | 1 | Organic glass |
| ⑧ Treatment | 0 | Nil |
| | 1 | Use no oil |
| | 2 | Use no water |
| | 3 | Use no oil & water |
| ⑨ Other additional spec. | 0 | Nil |
| | 1 | Required (Please specify the desired documents separately.) Dial scale* |
| ⑮ Documents | 0 | Nil |
| | 1 | Required (Please specify the desired documents separately.) Submission drawings, instruction manual, inspection procedure, mill sheet, test report (1 pc 1 copy), inspection / traceability certificate, strength calculation, attended inspection |

Please specify the pressure range and units separately besides selection of range code.

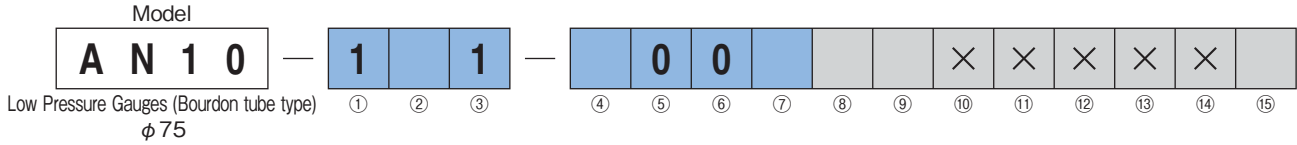
【Manufacturing range】

* Scale options: Capacity scale, printed words or colored circle

Specify "X" if there is no specification item.

Model number configuration 4

For ordering, please specify the model number, each specs and the range.



| Model number | | Selective spec. | | Additional spec. (Option) | |
|---------------------------------|---|--|--------|---------------------------|--|
| ① Mounting | 1 | Stem | Type A | | |
| ② Connection | 3 | G3/8B | | | |
| | G | R3/8 | | | |
| | L | 3/8NPT | | | |
| ③ Gas contact parts material | 1 | Bourdon tube type Refer to specification 2 | | | |
| ④ Pressure range (kPa) | 3 | 0~20, 30, 40, 50 | | | |
| | 6 | -20, -30, -40, -50~0 | | | |
| | 9 | Compound (Refer to specification 2) | | | |
| ⑤ Accuracy | 0 | Standard (±2.0%F.S.) | | | |
| ⑥ Pointer | 0 | Standard | | | |
| ⑦ Glass | 0 | Inorganic glass (Standard) | | | |
| | 1 | Organic glass | | | |
| ⑧ Treatment | 0 | Nil | | | |
| | 1 | Use no oil | | | |
| | 2 | Use no water | | | |
| | 3 | Use no oil & water | | | |
| ⑨ Other additional spec. | 0 | Nil | | | |
| | 1 | Required (Please specify the desired documents separately.) Dial scale*, Case color | | | |
| ⑮ Documents | 0 | Nil | | | |
| | 1 | Required (Please specify the desired documents separately.) Submission drawings, instruction manual, inspection procedure, mill sheet, test report (1 pc 1 copy), inspection / traceability certificate, strength calculation, attended inspection | | | |

Please specify the pressure range and units separately besides selection of range code.

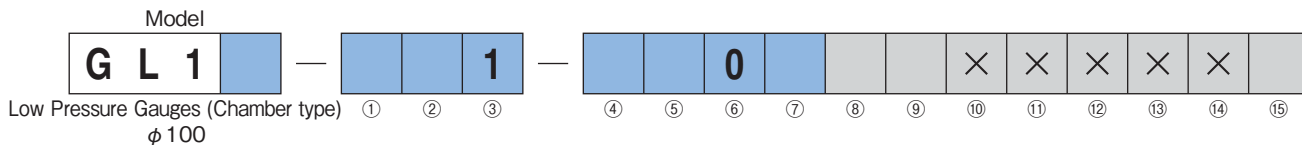
【Manufacturing range】

* Scale options: Capacity scale, printed words or colored circle

Specify "X" if there is no specification item.

Model number configuration 5

For ordering, please specify the model number, each specs and the range.



| Model number | | Selective spec. | | Additional spec. (Option) | |
|---------------------------------|---|--|------------------------------|---------------------------|--|
| Model | 0 | Size φ 100 | Mounting type | | |
| | 5 | φ 100 | Stem: Type B | | |
| | | Panel mounting: Type D | | | |
| ① Mounting | 1 | Stem | Panel mounting | | |
| | 2 | Type B GL10 | Type D (Mounting clamp) GL15 | | |
| ② Connection | 3 | G3/8B | | | |
| | G | R3/8 | | | |
| | L | 3/8NPT | | | |
| | 9 | Other specified | | | |
| ③ Gas contact parts material | 1 | Chamber type Refer to specification 2 | | | |
| | | | | | |
| ④ Pressure range (kPa) | 1 | 0~2, 3 | | | |
| | 5 | -2, -3~0 | | | |
| | 9 | Compound (Refer to specification 2) | | | |
| ⑤ Accuracy | 0 | Standard (±1.5%F.S.) | | | |
| | 3 | ±1.0%F.S. | | | |
| ⑥ Pointer | 0 | Standard | | | |
| ⑦ Glass | 0 | Inorganic glass (Standard) | | | |
| | 1 | Organic glass | | | |
| | 2 | Tempered glass | | | |
| | 3 | Non-glare treatment glass | | | |
| | 9 | Other specified | | | |
| ⑧ Treatment | 0 | Nil | | | |
| | 1 | Use no oil | | | |
| | 2 | Use no water | | | |
| | 3 | Use no oil & water | | | |
| ⑨ Other additional spec. | 0 | Nil | | | |
| | 1 | Required (Please specify the desired documents separately.) Dial scale*, Case color | | | |
| ⑮ Documents | 0 | Nil | | | |
| | 1 | Required (Please specify the desired documents separately.) Submission drawings, instruction manual, inspection procedure, mill sheet, test report (1 pc 1 copy), inspection / traceability certificate, strength calculation, attended inspection | | | |

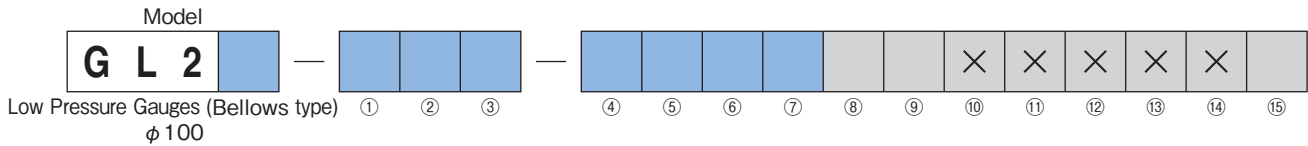
Please specify the pressure range and units separately besides selection of range code.

【Manufacturing range】
* Scale options: Capacity scale, printed words or colored circle

Specify "X" if there is no specification item.

Model number configuration 6

For ordering, please specify the model number, each specs and the range.



| Model number | | Selective spec. | | Additional spec. (Option) | |
|------------------------------|---|---|---------------------|------------------------------|--|
| Model | 0 | Size | ϕ 100 | Mounting type | |
| | 5 | Size | ϕ 100 | Stem: Type B | |
| | | Panel mounting: Type D | | | |
| ① Mounting | 1 | Stem | _____ | Panel mounting | |
| | 2 | Stem | Type B GL20 | Type D (Mounting clamp) GL25 | |
| ② Connection | 3 | G3/8B | | | |
| | G | R3/8 | | | |
| | L | 3/8NPT | | | |
| | 9 | Other specified | | | |
| ③ Gas contact parts material | 1 | Bellows type: General use | | | |
| | 3 | Bellows type: Corrosion-proof use | | Refer to specification 2 | |
| ④ Pressure range (kPa) | 1 | 0~4, 5, -4~0, -5~0 | Corrosion-proof use | | |
| | 3 | 0~4, 5, 7, 10, 15, 20, 30 | General use | | |
| | 4 | 0~7, 10, 15, 20, 30 | Corrosion-proof use | | |
| | 7 | -4, -5, -7, -10, -15, -20, -30~0 | General use | | |
| | 8 | -7, -10, -15, -20, -30~0 | Corrosion-proof use | | |
| | 9 | Compound (Refer to specification 2) | | | |
| ⑤ Accuracy | 0 | Standard (\pm 1.5%F.S.) | | | |
| | 3 | \pm 1.0%F.S. | | | |
| ⑥ Pointer | 0 | Standard | | | |
| | 1 | Zero adjustable (Micro meter type) | | | |
| | 2 | Zero adjustable (Spring type) | | | |
| ⑦ Glass | 0 | Inorganic glass (Standard) | | | |
| | 1 | Organic glass | | | |
| | 2 | Tempered glass | | | |
| | 3 | Non-glare treatment glass | | | |
| | 6 | Non-frost coat treatment glass | | | |
| | 9 | Other specified | | | |
| ⑧ Treatment | 0 | Nil | | | |
| | 1 | Use no oil | | | |
| | 2 | Use no water | | | |
| | 3 | Use no oil & water | | | |
| ⑨ Other additional spec. | 0 | Nil | | | |
| | 1 | Required (Please specify the desired documents separately.) Dial scale*, Case color | | | |
| ⑮ Documents | 0 | Nil | | | |
| | 1 | Required (Please specify the desired documents separately.) Submission drawings, instruction manual, inspection procedure, mill sheet, test report (1 pc 1 copy), inspection / traceability certificate, strength calculation, attended inspection | | | |

Please specify the pressure range and units separately besides selection of range code.

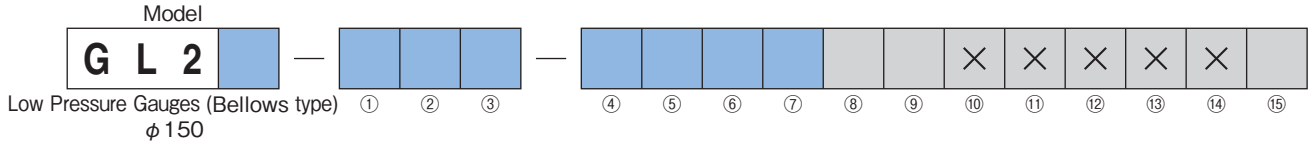
[Manufacturing range]

* Scale options: Capacity scale, printed words or colored circle

Specify "X" if there is no specification item.

Model number configuration 7

For ordering, please specify the model number, each specs and the range.



| Model number | | Selective spec. | | Additional spec. (Option) | |
|------------------------------|-----------------|--|---------------|------------------------------|--|
| Model | 1 | Size | Mounting type | | |
| | 6 | φ 150 | Stem: Type B | | |
| | | Panel mounting: Type D | | | |
| ① Mounting | 1 | Stem | | Panel mounting | |
| | 2 | Type B | GL21 | Type D (Mounting clamp) GL26 | |
| ② Connection | 3 | G3/8B | | | |
| | G | R3/8 | | | |
| | L | 3/8NPT | | | |
| | 9 | Other specified | | | |
| ③ Gas contact parts material | 1 | Bellows type: General use | | | |
| | 3 | Bellows type: Corrosion-proof use | | Refer to specification 2 | |
| ④ Pressure range (kPa) | 3 | 0~4, 5, 7, 10, 15, 20, 30 | | | |
| | 7 | -4, -5, -7, -10, -15, -20, -30~0 | | | |
| | 9 | Compound (Refer to specification 2) | | | |
| ⑤ Accuracy | 0 | Standard (±1.5%F.S.) | | | |
| | 3 | ±1.0%F.S. | | | |
| ⑥ Pointer | 0 | Standard | | | |
| | 1 | Zero adjustable (Micro meter type) | | | |
| | 2 | Zero adjustable (Spring type) | | | |
| ⑦ Glass | 0 | Inorganic glass (Standard) | | | |
| | 1 | Organic glass | | | |
| | 2 | Tempered glass | | | |
| | 3 | Non-glare treatment glass | | | |
| | 6 | Non-frost coat treatment glass | | | |
| 9 | Other specified | | | | |
| ⑧ Treatment | 0 | Nil | | | |
| | 1 | Use no oil | | | |
| | 2 | Use no water | | | |
| | 3 | Use no oil & water | | | |
| ⑨ Other additional spec. | 0 | Nil | | | |
| | 1 | Required (Please specify the desired documents separately.) Dial scale*, Case color | | | |
| ⑮ Documents | 0 | Nil | | | |
| | 1 | Required (Please specify the desired documents separately.) Submission drawings, instruction manual, inspection procedure, mill sheet, test report (1 pc 1 copy), inspection / traceability certificate, strength calculation, attended inspection | | | |

Please specify the pressure range and units separately besides selection of range code.

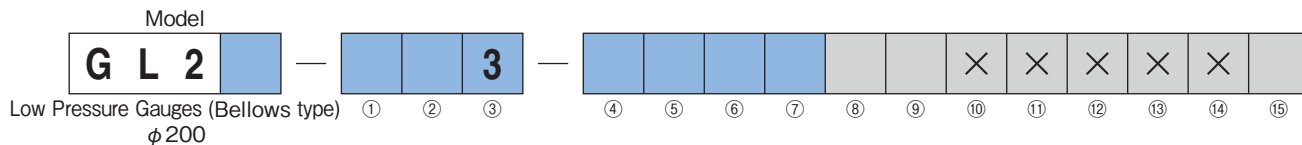
[Manufacturing range]

* Scale options: Capacity scale, printed words or colored circle

Specify "X" if there is no specification item.

Model number configuration 8

For ordering, please specify the model number, each specs and the range.



| Model number | | Selective spec. | | Additional spec. (Option) | |
|------------------------------|---|--|-------------|------------------------------|--|
| Model | 2 | Size | $\phi 200$ | Mounting type | |
| | 7 | Size | $\phi 200$ | Stem: Type B | |
| | | | | Panel mounting: Type D | |
| ① Mounting | 1 | Stem | _____ | Panel mounting | |
| | 2 | Stem | Type B GL22 | Type D (Mounting clamp) GL27 | |
| ② Connection | 3 | G3/8B | | | |
| | G | R3/8 | | | |
| | L | 3/8NPT | | | |
| | 9 | Other specified | | | |
| ③ Gas contact parts material | 3 | Bellows type: Corrosion-proof use | | Refer to specification 2 | |
| ④ Pressure range (kPa) | 1 | 0~2, 3 | | | |
| | 2 | -2~0, -3~0 | | | |
| | 9 | Compound (Refer to specification 2) | | | |
| ⑤ Accuracy | 0 | Standard ($\pm 1.5\%$ F.S.) | | | |
| | 3 | $\pm 1.0\%$ F.S. | | | |
| ⑥ Pointer | 0 | Standard | | | |
| | 1 | Zero adjustable (Micro meter type) | | | |
| | 2 | Zero adjustable (Spring type) | | | |
| ⑦ Glass | 0 | Inorganic glass (Standard) | | | |
| | 1 | Organic glass | | | |
| | 2 | Tempered glass | | | |
| | 3 | Non-glare treatment glass | | | |
| | 6 | Non-frost coat treatment glass | | | |
| | 9 | Other specified | | | |
| ⑧ Treatment | 0 | Nil | | | |
| | 1 | Use no oil | | | |
| | 2 | Use no water | | | |
| | 3 | Use no oil & water | | | |
| ⑨ Other additional spec. | 0 | Nil | | | |
| | 1 | Required (Please specify the desired documents separately.) Dial scale*, Case color | | | |
| ⑮ Documents | 0 | Nil | | | |
| | 1 | Required (Please specify the desired documents separately.) Submission drawings, instruction manual, inspection procedure, mill sheet, test report (1 pc 1 copy), inspection / traceability certificate, strength calculation, attended inspection | | | |

Please specify the pressure range and units separately besides selection of range code.

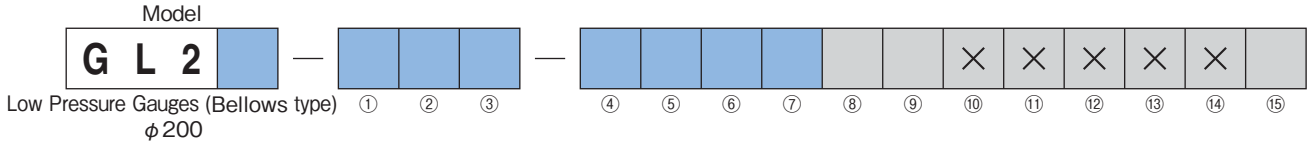
[Manufacturing range]

* Scale options: Capacity scale, printed words or colored circle

Specify "X" if there is no specification item.

Model number configuration 9

For ordering, please specify the model number, each specs and the range.



| Model number | | Selective spec. | | Additional spec. (Option) | |
|---------------------------------|---|--|---|---------------------------|--|
| Model | 3 | Size φ200 | Mounting type | | |
| | 8 | φ200 | Stem: Type B Panel mounting: Type D | | |
| ① Mounting | 1 | Stem | Panel mounting | | |
| | 2 | Type B GL23 | Type D (Mounting clamp) GL28 Type D (Mounting hole) GL28 | | |
| ② Connection | 3 | G3/8B | | | |
| | G | R3/8 | | | |
| | L | 3/8NPT | | | |
| | 9 | Other specified | | | |
| ③ Gas contact parts material | 1 | Bellows type: General use | | | |
| | 3 | Bellows type: Corrosion-proof use | | Refer to specification 2 | |
| ④ Pressure range (kPa) | 3 | 0~4, 5, 7, 10, 15, 20, 30 | | | |
| | 7 | -4, -5, -7, -10, -15, -20, -30~0 | | | |
| | 9 | Compound (Refer to specification 2) | | | |
| ⑤ Accuracy | 0 | Standard (±1.5%F.S.) | | | |
| | 3 | ±1.0%F.S. | | | |
| ⑥ Pointer | 0 | Standard | | | |
| | 1 | Zero adjustable (Micro meter type) | | | |
| | 2 | Zero adjustable (Spring type) | | | |
| ⑦ Glass | 0 | Inorganic glass (Standard) | | | |
| | 1 | Organic glass | | | |
| | 2 | Tempered glass | | | |
| | 3 | Non-glare treatment glass | | | |
| | 6 | Non-frost coat treatment glass | | | |
| ⑧ Treatment | 9 | Other specified | | | |
| | 0 | Nil | | | |
| | 1 | Use no oil | | | |
| | 2 | Use no water | | | |
| ⑨ Other additional spec. | 3 | Use no oil & water | | | |
| | 0 | Nil | | | |
| | 1 | Required (Please specify the desired documents separately.) Dial scale*, Case color | | | |
| ⑮ Documents | 0 | Nil | | | |
| | 1 | Required (Please specify the desired documents separately.) Submission drawings, instruction manual, inspection procedure, mill sheet, test report (1 pc 1 copy), inspection / traceability certificate, strength calculation, attended inspection | | | |

Please specify the pressure range and units separately besides selection of range code.

[Manufacturing range]
* Scale options: Capacity scale, printed words or colored circle

Specify "X" if there is no specification item.